

Pressing Tools for Use With:

ProPress[®] Fitting System

ProPress[®] XL Fitting System

ProPress[®] XL-C Fitting System

WARNING!

Read this Operator's Manual carefully before using this tool. Failure to understand and follow the contents of this manual may result in extensive property damage and/or serious personal injury.

Table of Contents

Safety Symbols	1
General Safety Information	
Work Area Safety.....	1
Electrical Safety.....	1
Personal Safety.....	2
Tool Use and Care.....	2
Service.....	2
Specific Safety Information	
Pressing Tool Safety.....	2
Description and Specifications	
Description.....	3
Specifications.....	3
Inspecting the Press Tool and Attachments	5
Tool and Work Area Set-Up	
Mounting Attachment Into Press Tool.....	6
Calibrating The Pressing Tool For The Specific Pressing Attachment (320-E Pressing Tool Only).....	6
Calibrating The 320-E With A Jaw Set.....	6
Calibrating The 320-E With The R2 Actuator (For Use With ProPress XL Rings).....	7
Calibrating The 320-E With The V1 Or V2 Actuator (For Use With ProPress Rings Or ProPress XL-C Rings).....	7
Preparing The Connection	
Preparing the Tube.....	8
Inserting the Tube Into the Fitting.....	8
Operating Instructions	
Pressing the Connection with a Ring and Actuator.....	10
Inspecting the Press Connection	11
Maintenance Instructions	12
Accessories	
ProPress System For Copper Tubing.....	12
Maintenance Storage	13
Service and Repair	13
Clearance Requirements	14-17
Troubleshooting	18
Lifetime Warranty	Back Cover

*Original Instructions - English

Safety Symbols

In this operator's manual and on the product, safety symbols and signal words are used to communicate important safety information. This section is provided to improve understanding of these signal words and symbols.



This is the safety alert symbol. It is used to alert you to potential personal injury hazards. Obey all safety messages that follow this symbol to avoid possible injury or death.

DANGER

DANGER indicates a hazardous situation which, if not avoided, will result in death or serious injury.

WARNING

WARNING indicates a hazardous situation which, if not avoided, could result in death or serious injury.

CAUTION

CAUTION indicates a hazardous situation which, if not avoided, could result in minor or moderate injury.

NOTICE

NOTICE indicates information that relates to the protection of property.



This symbol means read the operator's manual carefully before using the equipment. The operator's manual contains important information on the safe and proper operation of the equipment.



This symbol means always wear safety glasses with side shields or goggles when handling or using this equipment.



This symbol indicates the risk of hands, fingers or other body parts being crushed.



This symbol indicates the risk the electrical shock.

General Safety Rules*

WARNING

Read all safety warnings and all instructions. Failure to follow the warnings and instructions may result in electric shock, fire and/or serious injury.

SAVE ALL WARNINGS AND INSTRUCTIONS FOR FUTURE REFERENCE!

The term "power tool" in the warnings refers to your mains-operated (corded) power tool or battery-operated (cordless) power tool.

Work Area Safety

- **Keep your work area clean and well lit.** Cluttered or dark areas invite accidents.
- **Do not operate power tools in explosive atmospheres, such as in the presence of flammable liquids, gases, or dust.** Power tools create sparks which may ignite the dust or fumes.
- **Keep children and by-standers away while operating a power tool.** Distractions can cause you to lose control.

Electrical Safety

- **Power tool plugs must match the outlet. Never modify the plug in any way. Do not use any adap-**

ter plugs with earthed (grounded) power tools. Unmodified plugs and matching outlets will reduce risk of electric shock.

- **Avoid body contact with earthed or grounded surfaces such as pipes, radiators, ranges and refrigerators.** There is an increased risk of electrical shock if your body is earthed or grounded.
- **Do not expose power tools to rain or wet conditions.** Water entering a power tool will increase the risk of electrical shock.
- **Do not abuse the cord. Never use the cord for carrying, pulling or unplugging the power tool. Keep cord away from heat, oil, sharp edges or moving parts.** Damaged or entangled cords increase the risk of electric shock.
- **When operating a power tool outdoors, use an extension cord suitable for outdoor use.** Use of a cord suitable for outdoor use reduces the risk of electric shock.
- **If operating a power tool in a damp location is unavoidable, use ground fault circuit interrupter (GFCI) protected supply.** Use of an GFCI reduces the risk of electric shock.

Personal Safety

- **Stay alert, watch what you are doing and use com-**

* The text used in the General Safety Rule section of this manual is verbatim, as required, from the applicable UL/CSA 60745 standard. This section contains general safety practices for many different types of power tools. Not every precaution applies to every tool, and some do not apply to this tool.

mon sense when operating a power tool. Do not use a power tool while you are tired or under the influence of drugs, alcohol, or medication. A moment of inattention while operating power tools may result in serious personal injury.

- **Use personal protective equipment. Always wear eye protection.** Protective equipment such as dust mask, non-skid safety shoes, hard hat, or hearing protection used for appropriate conditions will reduce personal injuries.
- **Prevent unintentional starting. Ensure the switch is in the off-position before connecting to power source and/or battery pack, picking up or carrying the tool.** Carrying power tools with your finger on the switch or energizing power tools that have the switch ON invites accidents.
- **Remove any adjusting key or wrench before turning the power tool on.** A wrench or a key left attached to a rotating part of the power tool may result in personal injury.
- **Do not overreach. Keep proper footing and balance at all times.** This enables better control of the power tool in unexpected situations.
- **Dress properly. Do not wear loose clothing or jewelry. Keep your hair, clothing, and gloves away from moving parts.** Loose clothes, jewelry, or long hair can be caught in moving parts.
- **If devices are provided for the connection of dust extraction and collection facilities, ensure these are connected and properly used.** Use of dust collection can reduce dust-related hazards.

Power Tool Use and Care

- **Do not force power tool. Use the correct power tool for your application.** The correct power tool will do the job better and safer at the rate for which it is designed.
- **Do not use power tool if the switch does not turn it ON and OFF.** Any power tool that cannot be controlled with the switch is dangerous and must be repaired.
- **Disconnect the plug from the power source and/or the battery pack from the power tool before making any adjustments, changing accessories, or storing power tools.** Such preventive safety measures reduce the risk of starting the power tool accidentally.
- **Store idle power tools out of the reach of children and do not allow persons unfamiliar with the power tool or these instructions to operate the power tool.** Power tools are dangerous in the hands of untrained users.

- **Maintain power tools. Check for misalignment or binding of moving parts, breakage of parts and any other condition that may affect the power tool's operation. If damaged, have the power tool repaired before use.** Many accidents are caused by poorly maintained power tools.
- **Keep cutting tools sharp and clean.** Properly maintained cutting tools with sharp cutting edges are less likely to bind and are easier to control.
- **Use the power tool, accessories and tool bits etc. in accordance with these instructions, taking into account the working conditions and the work to be performed.** Use of the power tool for operations different from those intended could result in a hazardous situation.

Service

- **Have your power tool serviced by a qualified repair person using only identical replacement parts.** This will ensure that the safety of the power tool is maintained.

Specific Safety Information

WARNING

This section contains important safety information that is specific to this tool.

Read these precautions carefully before using the Press Tool Attachments to reduce the risk of serious personal injury.

SAVE THESE INSTRUCTIONS!

A compartment in the Press Tool carrying case is included to keep this manual with the machine for use by the operator.

If you have any question concerning this Ridge Tool product:

- Contact your local RIDGID® distributor.
- Visit www.RIDGID.com or www.RIDGID.eu to find your local Ridge Tool contact point.
- Contact Ridge Tool Technical Services Department at rttechservices@emerson.com, or in the U.S. and Canada call (800) 519-3456.

Pressing Tool Safety

- **Only use RIDGID Pressing Tool with RIDGID Pro-Press jaws and Press rings.** Other uses or modifying the jaws for other applications may damage the pressing tool, damage the jaws and/or cause personal injury.

- **Keep your fingers and hands away from jaws, press rings and ring actuator during pressing cycle.** Your fingers or hands can be crushed, fractured or amputated if they become caught between the jaws, press rings or ring actuator or between these components and any other object.
- **Never attempt to repair a damaged jaw set actuator, or press ring.** A jaw, actuator or press ring that has been welded, ground, drilled or modified in any manner can shatter during pressing resulting in serious injury. Discard the entire damaged jaw set. Replace with a new jaw set. Never replace individual components except for damaged jaw return springs. Please call Ridge Tool Company, Technical Service Department for availability.
- **Read and understand this manual, the tool operator’s manual, the fitting manufacturer’s installation instructions and the instructions for any other equipment used with this tool before operating.** Failure to follow all instructions may result in property damage and/or serious injury.

NOTICE Selection of appropriate materials and joining methods is the responsibility of the system designer and/or installer. Before any installation is attempted, careful evaluation of the specific service environment, including chemical environment and service temperature, should be completed.

Description and Specifications

Description

RIDGID Press Tool Attachments for ProPress® Systems, when used with the appropriate RIDGID Press Tool, are designed to mechanically press ProPress fittings onto tubing to create a watertight and permanent seal. When the switch on the press tool is depressed, a motor powers a hydraulic pump which forces fluid into the press tool cylinder. This moves the tool rollers forward into contact with the attachment and applies thousands of pounds of force to the specially designed fitting.

NOTE! ProPress® is a registered trademark of Viega GmbH & Co.

The entire pressing cycles takes between 4 and 8 seconds starting from when the switch is pressed. Once the pressing tool starts to deform the fitting, the tool will automatically continue the press until complete.

There are RIDGID Press Tool attachments for the following ProPress Systems:

- ProPress
- ProPress XL
- ProPress XL-C

ProPress

RIDGID makes jaw sets, rings and actuators to press ProPress fittings. These include:

- Standard Series ProPress Jaw sets for 1/2" to 2" ProPress fittings
- Compact Series ProPress Jaw sets for 1/2" to 1" ProPress fittings
- ProPress Rings for 1/2" to 2" ProPress fittings:
 - 1 1/2" and 2" ProPress Rings are used with Standard Series Press Tools with the V2 actuator
 - 1/2" to 1 1/4" ProPress Rings can be used with the Standard Series Press Tools with the V1 Actuator, or with the Compact Series Press Tools with the C1 actuator

Standard Series ProPress Jaw Sets

Standard Series ProPress Jaw Sets are designed to mechanically press ProPress fittings onto 1/2", 3/4", 1", 1 1/4", 1 1/2" and 2" tubing. An individual jaw set is required for each size tubing. Standard Series Jaw sets are designed to be used with RIDGID Standard Series Press Tools such as the CT-400, 320-E and RP 330. Standard Series Jaw Sets cannot be used with RIDGID Compact Series press tools such as the 100-B and RP 210. Jaw sets and press tools must be used perpendicular to the fitting/tube being pressed.

Catalog No.	Size	Weight
76652	1/2"	3.75 lbs. (1,70 kg)
76657	3/4"	3.90 lbs. (1,76 kg)
76662	1"	4.15 lbs. (1,88 kg)
76667	1 1/4"	4.30 lbs. (1,95 kg)
76672	1 1/2"	6.45 lbs. (2,93 kg)
76677	2"	9.40 lbs. (4,26 kg)



Figure 1 – Standard Series ProPress Jaw Set

Compact Series ProPress Jaw Sets

Compact ProPress Jaw Sets are designed to mechanically press ProPress fittings onto 1/2", 3/4", 1" and 1 1/4" tubing. An individual jaw set is required for each size tubing. Compact Series Jaw sets are designed to be used with RIDGID Compact Series Press Tools such as the 100-B and

RP 210. Compact Series Jaw Sets cannot be used with RIDGID Standard Series press tools such as the CT-400, 320-E and RP 330. Jaw sets and press tools must be used perpendicular to the fitting/tube being pressed.

Catalog No.	Size	Weight
16958	1/2"	2.5 lbs. (1,14 kg)
16963	3/4"	2.22 lbs. (1,01 kg)
16978	1"	2.28 lbs. (1,03 kg)
31228	1 1/4"	2.56 lbs. (1,15 kg)



Figure 2 – Compact Series ProPress Jaw Set

ProPress Rings

ProPress Rings are designed to mechanically press ProPress fittings onto 1/2", 3/4", 1", 1 1/4", 1 1/2" and 2" tubing. An individual ring is required for each tubing size. 1/2" through 1 1/4" rings can be actuated with either a V1 actuator and Standard Series Press Tools such as the CT-400, 320-E or RP 330, or a C1 actuator and Compact Series Press Tools such as the 100-B and RP 210. 1 1/2" and 2" rings can only be actuated with the V2 actuator and Standard Series Press Tools. 1 1/2" and 2" ProPress rings cannot be actuated with Compact Series Press Tools.

The ProPress rings must be used perpendicular to the fitting and tube being pressed but the ball pocket/tip feature on the rings and actuators allows the actuator and press tool to swivel up to 90 degrees in each direction. This allows the rings and actuators to be used in some applications where the jaw sets and pressing tool will not fit. The ProPress rings are marked to show the correct actuator for use with that ring.

Catalog No.	Description	Weight
27998	1/2" ProPress Ring	0.50 lbs (0,23 kg)
28003	3/4" ProPress Ring	0.70 lbs (0,32 kg)
28008	1" ProPress Ring	0.90 lbs (0,41 kg)
28013	1 1/4" ProPress Ring	1.00 lbs (0,45 kg)
28018	1 1/2" ProPress Ring	1.35 lbs (0,61 kg)
28023	2" ProPress Ring	2.00 lbs (0,91 kg)
26163	C1 Actuator	2.10 lbs (0,95 kg)
28033	V1 Actuator	4.80 lbs (2,18 kg)
21878	V2 Actuator	4.7 lbs (2,13 kg)



Figure 3 – ProPress Ring and V2 Actuator

ProPress XL

RIDGID makes ProPress XL Rings for use with ProPress XL Fittings. ProPress XL Rings are designed to mechanically press ProPress XL fittings onto 2 1/2", 3" and 4" tubing. An individual ring is required for each tubing size. ProPress XL Rings are actuated with R2 actuators and Standard Series Press Tools such as the CT-400, 320-E or RP 330. ProPress XL Rings cannot be actuated with the Compact Series Press Tools.

ProPress XL rings, actuator and tool must be used perpendicular to the fitting and tube being pressed. The pocket/actuator tip feature on the ProPress XL rings does not allow for the tool and actuator to swivel relative to the ring.

Catalog No.	Size	Weight
93677	2 1/2" XL Press Ring Set	4.5 lbs. (2,04 kg)
93682	3" XL Press Ring Set	5.2 lbs. (2,36 kg)
93687	4" XL Press Ring Set	6.5 lbs (2,95 kg)
93692	R2 Actuator	8.4 lbs (3,81 kg)
16803	Carrying Case	9.0 lbs (4,08 kg)

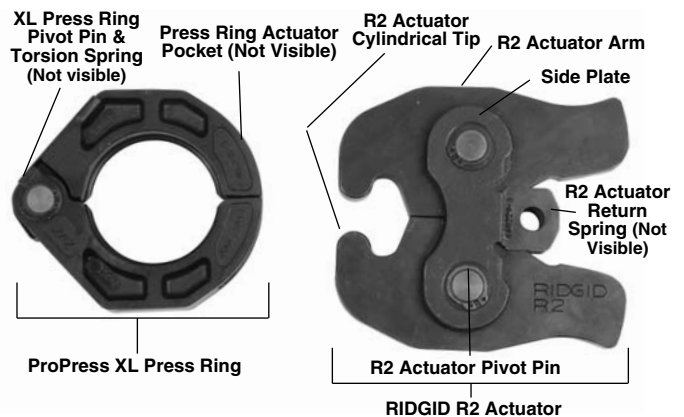


Figure 4 – ProPress XL Press Ring and RIDGID R2 Actuator

ProPress XL-C

RIDGID makes ProPress XL-C Rings for use with ProPress XL-C Fittings. ProPress XL-C Rings are designed to mechanically press ProPress XL-C fittings onto 2½", 3" and 4" tubing. An individual ring is required for each tubing size. ProPress XL-C Rings are actuated with V2 actuators and Standard Series Press Tools such as the CT-400, 320-E or RP 330. ProPress XL-C Rings cannot be used with the Compact Series Press Tools.

The ProPress XL-C rings must be used perpendicular to the fitting and tube being pressed but the ball pocket/tip feature on the rings and actuators allows the actuator and press tool to swivel up to 90 degrees in each direction.

Catalog No.	Size	Weight
20543	2½" XL-C Press Ring	5.46 lbs (2,48 kg)
20548	3" XL-C Press Ring	9.63 lbs (4,37 kg)
20553	4" XL-C Press Ring	11.08 lbs (5,03 kg)
21878	V2 Actuator	6.71 lbs (3,04 kg)
21103	Carrying Case	6.15 lbs (2,79 kg)



Figure 5 – ProPress XL-C Press Ring and RIDGID V2 Actuator

RIDGID Press Tool Attachments are protected under various U.S. and International patents and pending patent applications, including U.S. patents:

6,434,998	6,477,757	6,694,586	6,729,009	6,923,037
7,000,448	7,059,166	7,146,839	7,155,955	7,188,508
7,237,427	7,260,975	7,363,799	D562,098	

⚠ WARNING Only use RIDGID Press Tools and RIDGID press tool attachments (jaw sets, rings, actuators, etc.) when specified by the fitting manufacturer for use with their system. Use of incorrect press tools and/or attachments for a system can cause system leaks, damage the press tool or attachment, void warranties or cause severe personal injury.

NOTICE Contact the fitting manufacturer for specific information on their system, including compatible tubing, materials, installation instructions, minimum distance between fittings, seal material, inspection, testing, etc. Incorrect installation can cause system leaks and extensive property damage.

Contact Ridge Tool Technical Services Department at (800) 519-3456 or rtctechservices@emerson.com for a list of press fitting system and valve manufacturers that specify RIDGID pressing tools and attachments for their systems.

Inspecting the Press Tool and Attachments

⚠ WARNING



Inspect your pressing tool and attachments daily and correct any problems to reduce the risk of serious injury from electric shock, tool and attachment failure and other causes and to prevent tool and property damage.

1. Inspect press tool according to the specific tool operator's manual.
2. Clean any oil, grease or dirt from the tool and attachments, especially the handles and controls. This reduces the risk of the tool or attachment slipping from your grip and makes inspection easier.
3. Closely inspect all pressing attachment components (jaw sets, rings, actuators, etc.) for any cracked, broken, worn, missing, mis-aligned or binding parts or any other sign of damage that may prevent proper and safe operation. Damaged parts can cause the attachment to make incorrect pressed connections or fail during use, and cause serious injury or property damage. If any damage is found, the attachment should be discarded and replaced.

⚠ WARNING Always discard the complete pressing attachment. Never replace individual components or exchange parts between assemblies. Failure to replace the entire assembly may result in component failure and serious injury.

Do not modify pressing attachments or use modified attachments. A pressing attachment component that has been welded, ground, drilled or modified in any manner can shatter during pressing, resulting in sharp flying objects, severe injury or death. Discard and replace damaged pressing attachments.

4. Inspect the attachment markings to make sure that it is clearly marked as to the system and size that it is appropriate for. Do not use an attachment that is not clearly marked.

5. Inspect the press profile of the attachment. If it is rusty, dirty or if there is a build up of fitting material, clean as described in the maintenance section. It is important to keep the press profile clean to prevent the formation of burrs during pressing process, prevent the attachment from sticking to the fitting and making sure that a proper press connection is made.
6. Make sure that springs are intact and bias the attachment in the proper direction (closed for rings, jaws and actuators). Attachment should cycle freely from the fully open to fully closed position. If needed, lubricate pivot points with a light lubricating oil. Wipe any excess oil from the attachment.

3. Make sure that the press tool and attachment have been inspected according to their respective manuals or instructions.
4. Follow tool set up procedure according to the specific press tool operator's manual.

Mounting Attachment Into Press Tool

1. Make sure that the press tool is unplugged or that the battery is removed from the tool.
2. Pull the attachment mounting pin on the press tool out. If there is already an attachment in the tool, slide it out of the pressing tool (*See Figure 6*).

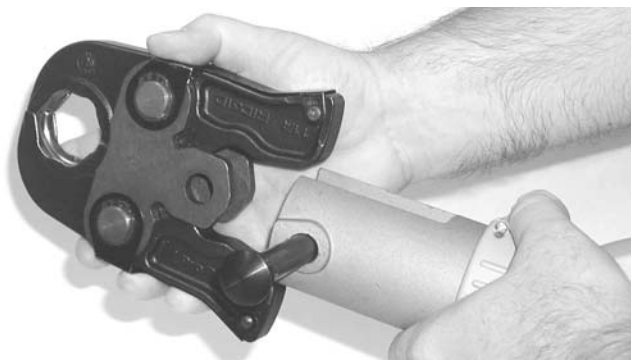


Figure 6 – Pulling The Jaw Set Mounting Pin Out

3. Slide the attachment into the press tool and fully engage the attachment mounting pin. The press tool will not function unless the pin is fully engaged.

Calibrating The Pressing Tool For The Specific Pressing Attachment (320-E Pressing Tool Only)

The RIDGID 320-E Pressing Tool includes a feature to help insure that complete press connections are made. To use this feature, when a press attachment is installed on the 320-E, a calibration cycle is done. The 320-E then compares that calibration cycle to each press connection made. If the press connection does not match the calibration cycle, the 320-E alerts the user that a pressing error has occurred so that the operator can take appropriate action.

Specific calibration information is included here for each type of attachment. *See the 320-E manual* or contact Ridge Tool Technical Services if you have any questions regarding this feature.

Calibrating The 320-E With A Jaw Set

1. Make sure the 320-E Press Tool has the correct jaw set installed.
2. Insert fully charged battery into the base of the 320-E handle.

Tool and Work Area Set-Up

⚠ WARNING



Set up the press tool, attachment and work area according to these procedures to reduce the risk of injury from electric shock and other causes and to prevent property damage.

1. Inspect the work to be done and determine
 - The system of fittings to be used
 - The sizes of fittings to be used
 - The amount of space available for the tool and attachments to make the pressed connections.
2. Determine the appropriate pressing tool and attachments for the application. *See the Description and Specification* section for information on the attachments available for the ProPress systems. Information on clearance requirements for various attachments can be found at the back of the manual. Information on RIDGID Pressing Tools and other RIDGID press tool attachments can be found at www.RIDGID.com, or by contacting Ridge Tool Technical Services at (800) 519-3456 or TechServices@ridgid.com.

Only use RIDGID Press Tools and RIDGID press tool attachments (jaw sets, rings, actuators, etc.) when specified by the fitting manufacturer for use with their system. Be sure to use the correct actuator for the ring being used. Rings are marked to indicate the correct actuator for use with the ring. Use of incorrect press tools and/or attachments for a system can cause system leaks, damage the press tool and attachment or cause severe personal injury.

3. Depress ON/OFF button on display panel one time to turn tool on. The audible alarm should beep once and all three light emitting diodes (LED's) will blink once. Then, the green LED should be blinking indicating calibration is required.

Tool will automatically go into “sleep” mode if left unused for ten (10) minutes. To “wake up” tool, it is necessary to once again depress the ON/OFF button on the top display panel.

4. Complete one tool cycle with an empty scissor style jaw set (no fitting in jaw). Green LED should now glow solid indicating tool is properly calibrated. The tool is now ready to begin pressing fittings. The tool will remain calibrated as long as jaw set is installed unless tool is left idle for longer than sixty (60) minutes. In this instance, which will be indicated by blinking green LED after tool is turned back on, the calibration process must be repeated.

Every time jaw set or actuator is replaced (jaw mounting pin is opened), the calibration process should be repeated to allow proper jaw closure detection.

Calibrating The 320-E With The R2 Actuator (For Use With ProPress XL Rings)

1. Insert fully charged battery into the handle of the 320-E press tool.
2. Depress ON/OFF button on display panel one time to turn tool on. The audible alarm should beep once and all three light emitting diodes (LED's) will blink once. Then, the green LED should be blinking indicating calibration is required.

Tool will automatically go into “sleep” mode if left unused for ten (10) minutes. To “wake up” tool, it is necessary to once again depress the ON/OFF button on the top display panel.

3. Complete one tool cycle with an empty R2 Actuator (no press ring attached). Green LED will continue to blink but the ram position detection feature is now disabled. Due to the design of press rings, it is not possible to detect jaw closure since the rings never fully close. The tool is now ready to begin pressing ProPress XL fittings. The tool ram position detection will remain disabled as long as the ring actuator is installed unless tool is left idle for longer than sixty (60) minutes. In this instance, after the tool is turned back on (by depressing the ON/OFF button on display panel) the calibration process must be repeated.

Every time R2 Actuator is replaced the calibration process should be repeated to disable the ram position detection feature.

Calibrating The 320-E With The V1 Or V2 Actuator (For Use With ProPress Rings Or ProPress XL-C Rings)

1. Make sure the correct actuator (V1 or V2) is installed in the 320-E.
2. Insert fully charged battery into the base of the 320-E handle.
3. Depress ON/OFF button on the display panel one time to turn tool ON. The audible alarm should beep once and all three light emitting diodes (LED's) will blink once. Then, the green LED should be blinking indicating calibration is required.

Tool will automatically go into “sleep” mode if left unused for ten (10) minutes. To “wake-up” tool, it is necessary to once again depress the ON/OFF button on the top display panel.

4. Open the Actuator and engage onto the appropriate Press Ring for the application.
5. Complete one tool cycle with the desired Actuator and Ring (no fitting in press ring). Green LED should now glow solid indicating tool is properly calibrated for the selected Actuator and Ring combination. The tool is now ready to begin pressing fittings. The tool will remain calibrated as long as actuator is installed unless tool is left idle for longer than sixty (60) minutes. In this instance, which will be indicated by blinking green LED after tool is turned back on, the calibration process must be repeated.
6. If it is desired to change the size of fitting being pressed and use a different size Ring that works with the Actuator which is already installed in the tool, it is necessary to recalibrate the new Ring/Actuator combination. To accomplish this, the attachment mounting pin must be partially opened and the fully inserted again. This action will erase the previous calibration setting. The green LED should now be blinking, indicating the tool is ready for calibration. Next, repeat step 5 for the new Ring/Actuator combination.

Preparing The Connection

NOTICE These are generalized instructions. Always follow the fitting manufacturers specific installation instructions. Failure to follow the fitting manufacturer's installation instructions may lead to an improper press connection and cause leaking connections and property damage.

Preparing the Tube

1. If necessary, cut the desired length of the proper tube for use with the fitting system. Use a tubing cutter or other method that provides a clean cut square to the axis of the tube. If using a vise or other method to hold the tube during cutting, make sure that the vise is far enough from the end of the tube not to damage the section of tube that is inserted into the fitting. Scratches on the outside diameter of the tube and deformed tube can cause leaks.
2. Deburr the tube end inside and out with a file, reamer, deburring tool or other suitable tool. Burrs can cut the sealing element of the fitting and cause leaks.
3. Clean the end of the tube of all dirt, oil and grease. Improperly prepared tube can cause improper connections, leaks and other property damage.

Inserting the Tube into the Fitting

1. Inspect the fitting per the manufacturer's instructions to be sure all parts are present, in place and free of dirt and debris. If fitting parts are missing or dirty, this can cause improper connections, leaks and other property damage. *See Figure 7.*



Figure 7A – Inspection of the ProPress Fitting per the Manufacturer's Instructions



Figure 7B – Inspection of ProPress XL Fitting Prior to Tube Insertion



Figure 7C – Inspection of XL-C Fitting Prior to Tube Insertion

2. In some systems, there is a requirement to mark the tube before insertion. Check the fitting manufacturer's instructions, and if required, mark the tubing with a permanent marker at the appropriate distance from the tube end. This gives a visual reference that the tube has been fully inserted into the fitting prior to pressing the connection. *See Figure 8.*

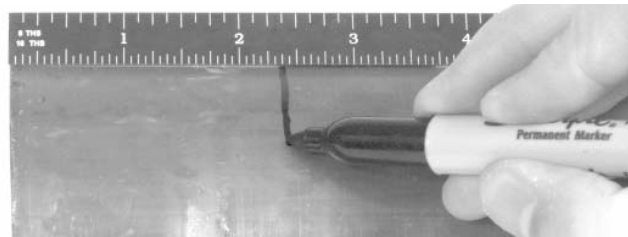


Figure 8 – Marking the Tube Before Inserting Into Fitting

3. Fully insert the tube into the fitting. Most fittings have a stop that the tube end contacts to indicate full insertion. Other fittings do not have a stop and will allow the tube to fully pass through the fitting, and are typically used in repair applications. If there is no stop, insert the tube so that the mark made in the previous step is even with the end of the fitting. In some cases, a twisting motion during insertion makes the process easier. Never use any lubricant unless the fitting manufacturer specifically advises to. Lubricants can degrade the seal and cause leaks. Tubing that is difficult to insert may be out of round or have burrs on the tube end, which can damage the seal and cause leaks.
4. Make sure that the tube is fully inserted in the fitting and if not marked in previous steps, mark the tube at the end of the fitting to give a visual reference that the tube is fully inserted. *See Figures 9 and 10.*



Figure 9 – Marking the Tubing After Fully Inserting Tube

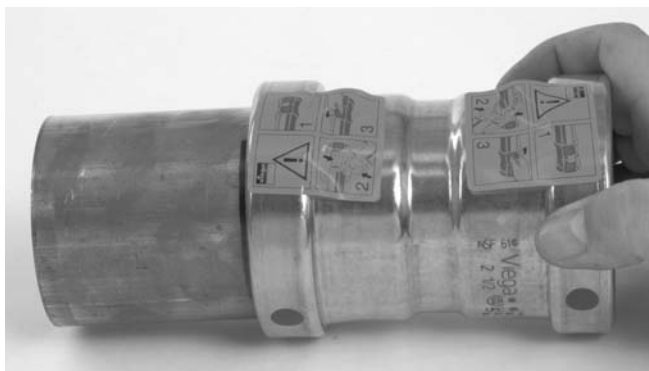


Figure 10 – Inserting the Tube Into Fitting to Proper Depth

Operating Instructions

⚠ WARNING



Always wear eye protection to protect your eyes against dirt and other foreign objects.

Keep your fingers and hands away from the tool attachment during the pressing cycle. Your fingers or hands can be crushed, fractured or amputated in the attachment or tool or between the attachment, work piece and other objects.

Follow operating instructions to reduce the risk of injury from crushing and other causes and to prevent tool damage.

⚠ WARNING Only use RIDGID Press Tools and RIDGID press tool attachments (jaw sets, rings, actuators, etc.) when specified by the fitting manufacturer for use with their system. Use of incorrect press tools and/or attachments for a system can cause system leaks, damage the press tool or attachment, void warranties or cause severe personal injury.

Confirm that the tool and attachments have been properly set up.

Pressing the Connection with a Jaw Set

1. Squeeze the jaw arms to open the Jaw set and place the open jaws around the fitting. Allow the jaw set to close around the fitting, making sure to align the press profile of the Jaw set with the contour of the fitting (See Figure 11).



Figure 11 – Opening the Jaw set and Placing Around Fitting

2. Confirm that the tubing is inserted to the proper depth in the fitting. As specified in appropriate Fitting System instructions.
3. Make sure that the jaw set and pressing tool are square to the tube and fitting (See Figure 12) and depress the press tool switch. Keep fingers and hands away from the jaw set to avoid crushing injuries in jaw set and between the jaw set and the surroundings.

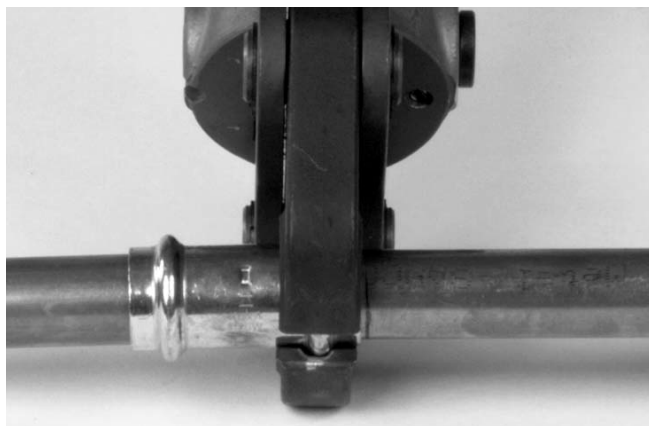


Figure 12 – Jaw Set Square To Fitting and Tubing

The pressing cycle takes 4-8 seconds depending on the press tool. Once a press cycle begins and the rollers contact the Jaw set, the press tool will lock on and automatically complete the press cycle. Releasing the tool switch will not stop the tool once the pressing process has begun. This insures consistent, repeatable press connection integrity. If the tool should malfunction, refer to the specific press tool operator's manual.

4. Press the jaw set jaw arms to open the jaw set and remove from the fitting. Avoid any sharp edges that may have formed on fitting during pressing operation.

Pressing the Connection with a Ring and Actuator

1. Open the appropriate Press Ring and place squarely around the fitting. Allow the ring to close around the fitting, making sure to align the press profile with the contour of the fitting. If the ring is not properly aligned with the fitting, an improper press connection will be made. See Figures 13A, B and C.

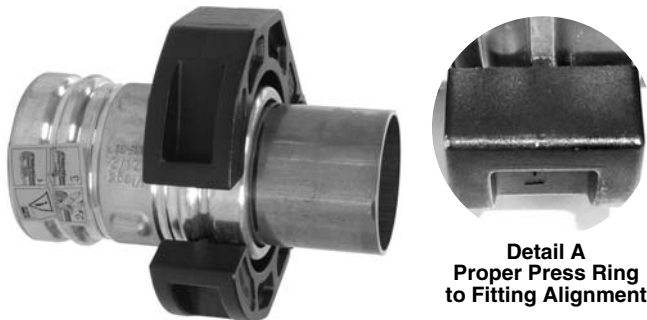


Figure 13A – Installing ProPress XL Press Ring Onto Fitting



Figure 13B – Installing ProPress XL-C Press Ring Onto Fitting

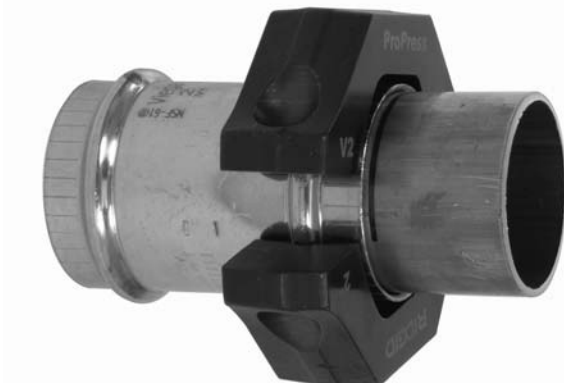


Figure 13C – Installing ProPress Ring Onto Fitting

2. Confirm that the appropriate actuator for the ring to be pressed is in the pressing tool (the ring will be marked with the designation of the appropriate actuator - R2, V1, V2). The correct actuator/ring combination must be used to prevent possible injury, ring and actuator damage, and improper press connections. If using the 320-E Pressing Tool, make sure that the tool and actuator have been calibrated to the ring being pressed. If not see the calibration information in the Set Up section.
3. Squeeze the actuator arms to open the actuator tips, place tips in ring pockets and allow the actuator to close down and seat into the pockets. See Figure 14A – C. The R2 actuator must be placed perpendicular to the fitting/ring to properly seat in the ProPress XL ring pockets, but the V1 and V2 actuators and their mating rings are designed to allow the actuator and tool to be rotated up to ninety degrees each way from perpendicular. Make sure that the actuator tips are fully engaged in the ring pockets.



Figure 14A – Placing R2 Actuator Tips Into XL Ring Pockets



Figure 14B – Placing V2 Actuator Tips Into XL-C Ring Pockets



Figure 14C – Placing V2 Actuator Into XL-C Ring Pockets At An Angle For Additional Clearance

Do not hang the actuator and tool from the ring. The tool and actuator could fall from the ring and cause serious injury or death.

4. Make sure that the ring is square to the tube and fitting and depress the press tool switch. Keep fingers and hands away from the actuator and ring to avoid crushing injuries in the attachments and between the attachments and surroundings.

The pressing cycle takes 4-8 seconds depending on the press tool. Once a press cycle begins and the rollers contact the actuator, the press tool will lock on and automatically complete the press cycle. Releasing the tool switch will not stop the tool once the pressing process has begun. This insures consistent, repeatable press connection integrity. If the tool should malfunction, refer to the specific press tool operator's manual.

The ProPress rings and the ProPress XL-C rings are designed to fully close during the pressing process. The ProPress XL rings are not designed to fully close during pressing. For the ProPress XL rings, it is normal to have a gap between the ring tips of approximately $\frac{5}{16}$ " (8 mm) at the end of the press cycle.

5. After the pressing operation is complete, squeeze the actuator arms to open the actuator tips and remove from the ring.
6. Remove the ring from the fitting. Avoid any sharp edges that may have formed on the fitting during the pressing operation.

Inspecting The Press Connection

1. Inspect the pressed fitting. If the fitting is supplied with a control label by the fitting manufacturer, remove it (Refer to Figures 7B and 7C). Control labels are

supplied by the manufacturer to indicate that the fitting has not yet been pressed. Removal of the control label indicates to others that the connection has been pressed.

Look for the following:

- Excessive misalignment of the tubes. Note that a slight amount of misalignment at the pressed connection is considered normal.
- Tubes that are not fully inserted into the fitting – double check the insertion marks made on the tube to see that they are still aligned with the end of the fitting.
- Incorrect jaw or ring alignment with the fitting contour, distorted or deformed fitting.
- Any other issues per the fitting manufacturer.

If any of these problems are found, then removal of the fitting is required and a new fitting and tube will need to be prepared and pressed in its place.

2. If inspecting ProPress fittings, check and confirm the presence of the ProPress witness mark in one of the hex flats (See Figure 15). This unique mark confirms that the proper RIDGID Jaw set, designed specifically for the ProPress Fitting System was used to make the pressed connection. This witness mark is a trade mark of the Ridge Tool Company. Absence of the witness mark may invalidate the system manufacturer's warranty. The ProPress XL and ProPress XL-C systems do not have a witness mark.

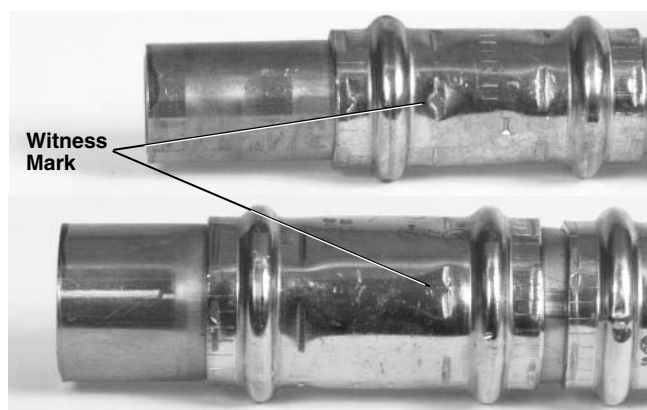


Figure 15 – ProPress Witness Mark

3. Test the system in accordance with the system suppliers instructions, normal practice and local codes. The system supplier may have specific system test procedures to confirm the integrity of the system.

Maintenance Instructions

⚠ WARNING

Press attachments should be removed from press tool before performing any maintenance.

Always wear safety glasses. Protect your eyes from dirt and other foreign objects.

A jaw, press ring or ring actuator component that has been welded, ground, drilled or modified in any manner can shatter during pressing, resulting in sharp flying objects, severe injury or death. Discard and replace damaged jaws, press rings or ring actuators.

1. Before use, inspect the press profile. If damaged, discard the attachment. If rusty, dirty or if there is evidence of fitting material build up or other contaminants, manually clean the press profile. Contaminants in the press area (especially near the tips of scissor style jaws or press rings - see Figure 16) make it more likely that burrs will form on the fitting during pressing. Burrs can damage the attachment press profile.

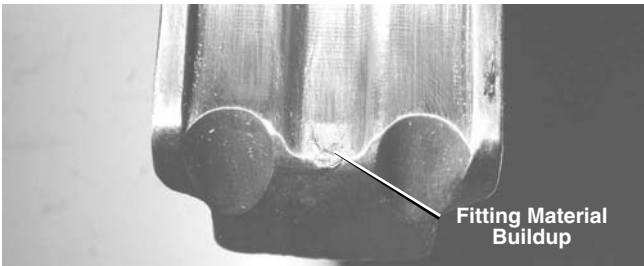


Figure 16 – Fitting Material Build-Up In Press Profile

Use a fine grade Scotch-Brite® (Scotch-Brite is a registered trademark of the 3M Company) metal polishing pad, steel wool, or a steel bristle wire brush to clean the press profile.

NOTICE Do not clean the press profile with aggressive materials or methods, such as emery cloth, sandpaper or grinding wheels. This may alter critical press profile dimensions and cause improper press connections.

2. Lubricate pivot pins and points of relative motion on the attachment at least once a month with a light weight general purpose lubricating oil. Clean off any excess oil.
3. Check return springs in attachments with each use. Attachments should open and close freely with only moderate effort. If springs are missing or unit binds, do not use until the attachment has been fixed.

Accessories

⚠ WARNING

Only the following RIDGID ProPress products have been designed to function with RIDGID Press Tools. Other press tool attachments and accessories suitable for use with other tools may become hazardous and/or produce bad presses.

To prevent serious injury when pressing ProPress fittings, only use attachments such as those listed below.

ProPress System:

Standard Series ProPress Jaw Sets

Catalog No.	Description
76652	1/2" ProPress Jaw Set
76657	3/4" ProPress Jaw Set
76662	1" ProPress Jaw Set
76667	1 1/4" ProPress Jaw Set
76672	1 1/2" ProPress Jaw Set
76677	2" ProPress Jaw Set

Compact Series ProPress Jaw Sets

Catalog No.	Description
16958	1/2" ProPress Jaw Set
16963	3/4" ProPress Jaw Set
16978	1" ProPress Jaw Set
31228	1 1/4" ProPress Jaw Set

ProPress Rings

Catalog No.	Description
27998	1/2" ProPress Ring
28003	3/4" ProPress Ring
28008	1" ProPress Ring
28013	1 1/4" ProPress Ring
28018	1 1/2" ProPress Ring
28023	2" ProPress Ring
26163	C1 Actuator
28033	V1 Actuator
21878	V2 Actuator
28043	C1 Kit, 1/2" - 1 1/4"
27423	V1 Kit, 1/2" - 1 1/4"
28048	V1/C1 Combo Kit, 1/2" - 1 1/4"
27428	V2 Kit, 1 1/2" - 2"
28028	Carrying Case for 1/2" - 1 1/4" Ring Kits
28038	Carrying Case for 1 1/2" - 2" Ring Kit

ProPress XL Press Rings

Catalog No.	Description
93677	2½" ProPress XL Press Ring Set
93682	3" ProPress XL Press Ring Set
93687	4" ProPress XL Press Ring Set
93692	R2 Actuator
16803	ProPress XL Set Carrying Case
93667	R2 Kit, 2½" - 4"

ProPress XL-C Press Rings

Catalog No.	Description
20543	2½" ProPress XL-C Press Ring Set
20548	3" ProPress XL-C Press Ring Set
20553	4" ProPress XL-C Press Ring Set
21878	V2 Actuator
21103	ProPress XL-C Set Carrying Case
20483	V2 Kit, 2½" - 4"

Machine Storage

⚠ WARNING These tools and attachments must be kept indoors or well covered in inclement weather. Store in a locked area out of the reach of children and people unfamiliar with the tools. These tools can cause serious injury in the hands of untrained users.

Service and Repair

⚠ WARNING

Improper service or repair can make attachments unsafe to operate.

The "Maintenance Instructions" will take care of most of the service needs of this machine. Any problems not addressed by this section should only be handled by an authorized RIDGID service technician.

No Service parts are sold for these attachments. If parts are needed, the attachment should be discarded and a new unit purchased.

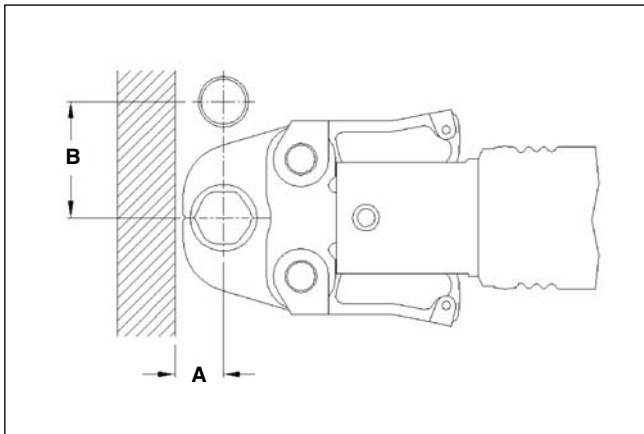
For information on your nearest RIDGID Independent Service Center or any service or repair questions:

- Contact your local RIDGID distributor.
- Visit www.RIDGID.com or www.RIDGID.eu to find your local Ridge Tool contact point.
- Contact Ridge Tool Technical Services Department at rttechservices@emerson.com or in the U.S. and Canada call (800) 519-3456

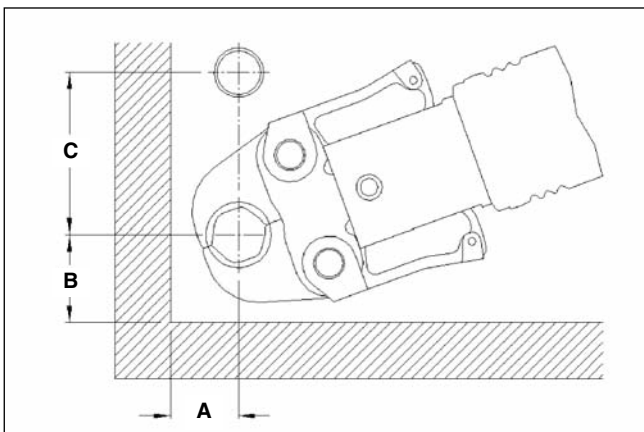
Clearance Requirements

The following figures illustrate the clearance requirements for the jaws and fittings and the procedure for pressing fittings in tight quarters with rings.

Clearance Requirements – Standard Series ProPress Jaw Sets

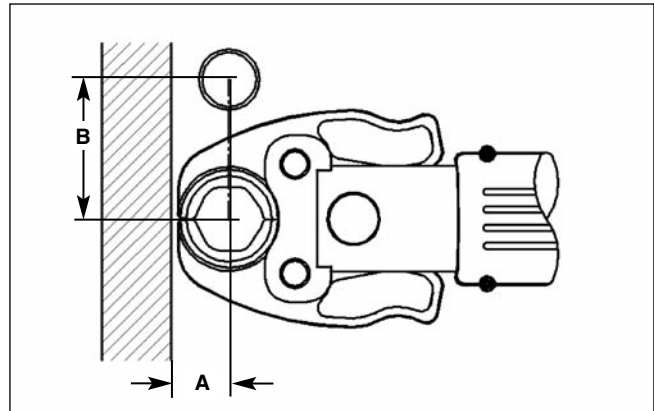


Tube Dia.	A (min.)		B (min.)	
	Inches	mm	Inches	mm
1/2"	3/4"	19	1 5/8"	41
3/4"	7/8"	22	2 1/8"	54
1"	1"	26	2 1/2"	64
1 1/4"	1 1/8"	29	2 7/8"	73
1 1/2"	1 3/4"	45	3 1/2"	89
2"	2"	51	4 3/8"	111

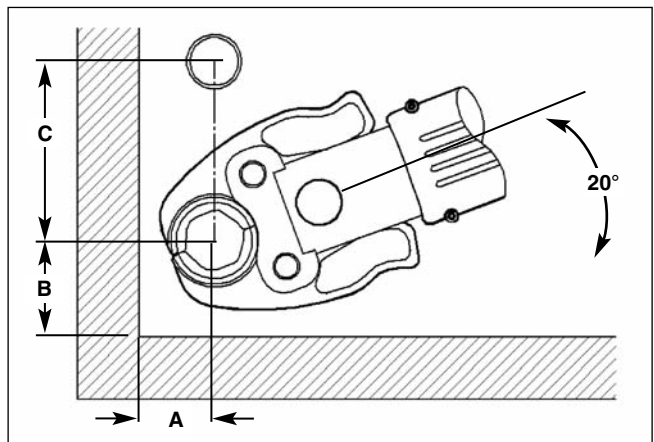


Tube Dia.	A (min.)		B (min.)		C (min.)	
	Inches	mm	Inches	mm	Inches	mm
1/2"	7/8"	23	1 3/8"	35	2 1/2"	64
3/4"	1"	26	1 1/2"	38	2 1/2"	64
1"	1 1/8"	29	1 3/4"	45	3"	76
1 1/4"	1 1/4"	32	2 1/4"	57	3 1/8"	80
1 1/2"	1 7/8"	48	2 1/2"	64	3 3/4"	95
2"	2 1/8"	54	3 1/8"	80	5"	127

Clearance Requirements – Compact Series ProPress Jaw Sets

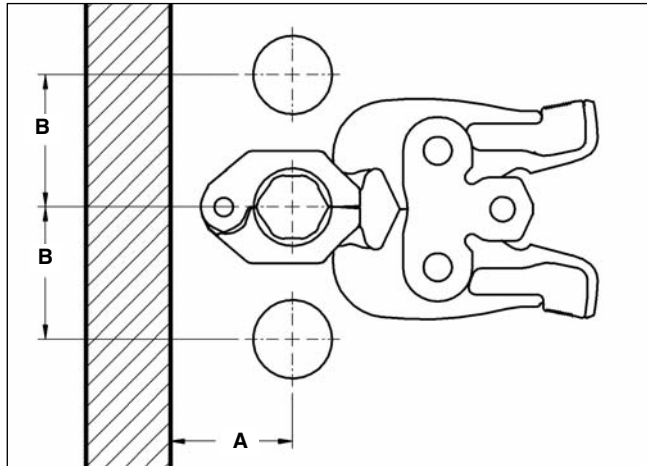


Tube Dia.	A (min.)		B (min.)	
	Inches	mm	Inches	mm
1/2"	3/4"	19	2"	51
3/4"	7/8"	22	2 3/8"	60
1"	1"	26	2 5/8"	67
1 1/4"	1 1/8"	28	3 1/8"	79

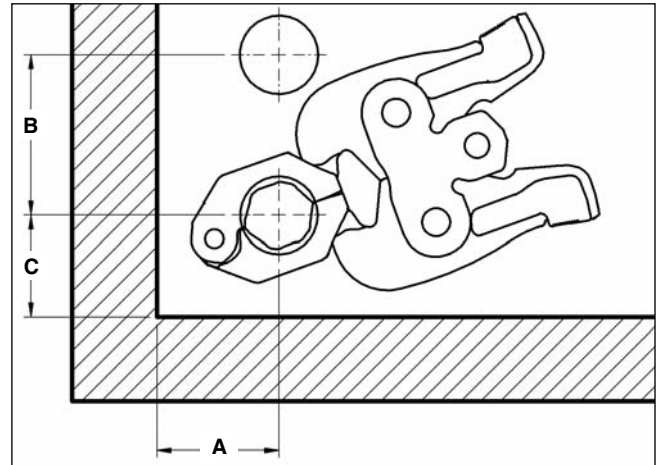


Tube Dia.	A (min.)		B (min.)		C (min.)	
	Inches	mm	Inches	mm	Inches	mm
1/2"	7/8"	23	1 3/8"	35	2 1/2"	64
3/4"	1"	26	1 1/2"	38	2 3/4"	70
1"	1 1/8"	29	1 5/8"	41	3"	76
1 1/4"	1 5/8"	39	2 1/8"	53	3 3/8"	85

Clearance Requirements – ProPress Rings



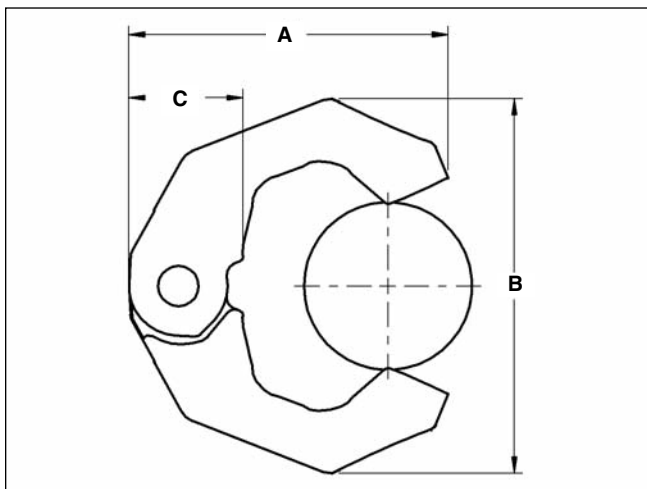
Tube Dia.	A (min.)		B (min.)	
	Inches	mm	Inches	mm
1/2"	1 5/8"	41	2 13/16"	71
3/4"	1 3/4"	45	2 3/16"	55
1"	2"	51	1 5/8"	42
1 1/4"	2 3/16"	55	2 15/16"	75
1 1/2"	2 3/8"	60	3 5/16"	85
2"	2 9/16"	65	4 1/8"	105



V1						
Tube Dia.	A (min.)		B (min.)		C (min.)	
	Inches	mm	Inches	mm	Inches	mm
1/2"	1 5/8"	41	3 9/16"	90	2 5/16"	59
3/4"	1 3/4"	45	3 5/8"	92	2 1/8"	55
1"	2"	51	3 13/16"	97	2 3/16"	56
1 1/4"	2 2/16"	55	3 3/4"	92	2 1/8"	55

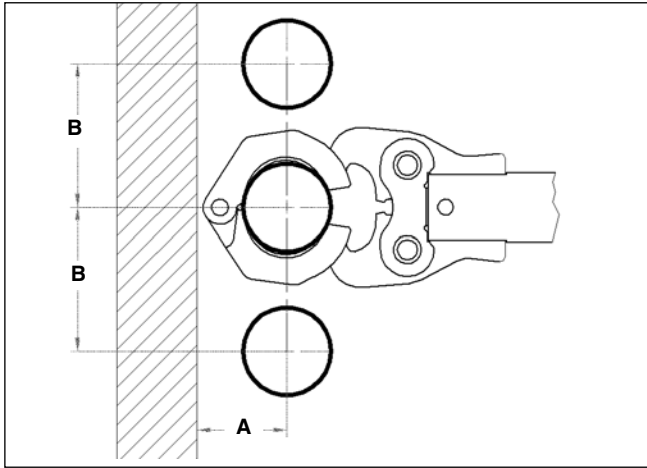
V2						
Tube Dia.	A (min.)		B (min.)		C (min.)	
	Inches	mm	Inches	mm	Inches	mm
1 1/2"	2 3/8"	60	5"	127	2 3/16"	56
2"	2 9/16"	65	4 3/4"	121	2 9/16"	65

C1						
Tube Dia.	A (min.)		B (min.)		C (min.)	
	Inches	mm	Inches	mm	Inches	mm
1/2"	1 5/8"	41	3 1/4"	83	2"	51
3/4"	1 3/4"	45	3 3/4"	83	1 7/8"	48
1"	2"	51	3 1/4"	83	1 7/8"	48
1 1/4"	2 2/16"	55	3 3/8"	86	1 7/8"	46

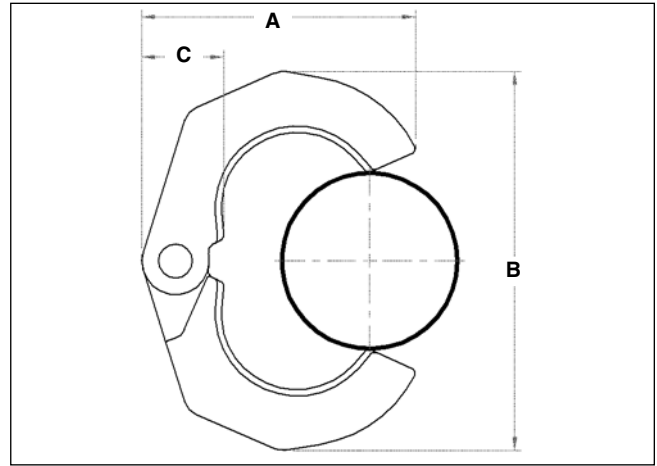


Tube Dia.	A (min.)		B (min.)		C (min.)	
	Inches	mm	Inches	mm	Inches	mm
1/2"	2 1/4"	57	2 1/8"	54	1 1/16"	27
3/4"	2 11/16"	68	2 7/8"	73	1 1/8"	28
1"	2 15/16"	75	3 5/16"	84	1 3/16"	31
1 1/4"	3 5/16"	84	3 7/8"	99	1 3/16"	30
1 1/2"	3 11/16"	94	4 5/16"	110	1 3/16"	31
2"	4 7/16"	113	5 7/16"	139	1 3/16"	30

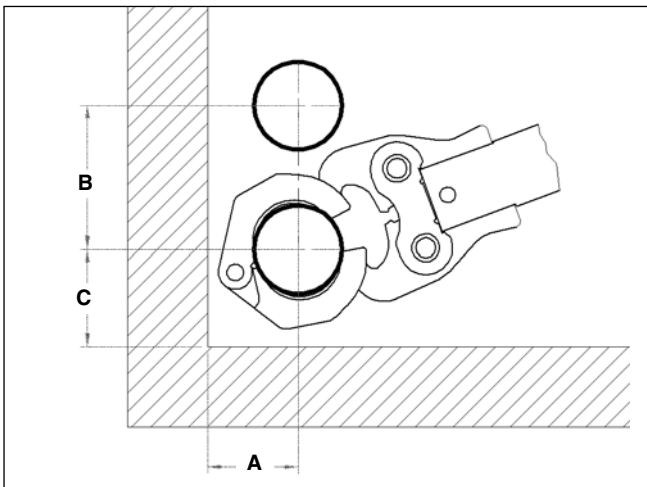
Clearance Requirements – ProPress XL Press Rings



Tube Dia.	A (min.)		B (min.)	
	Inches	mm	Inches	mm
2½"	3⅜"	86	5⅝"	137
3"	3⅝"	92	6"	152
4"	4¼"	108	7⅝"	188

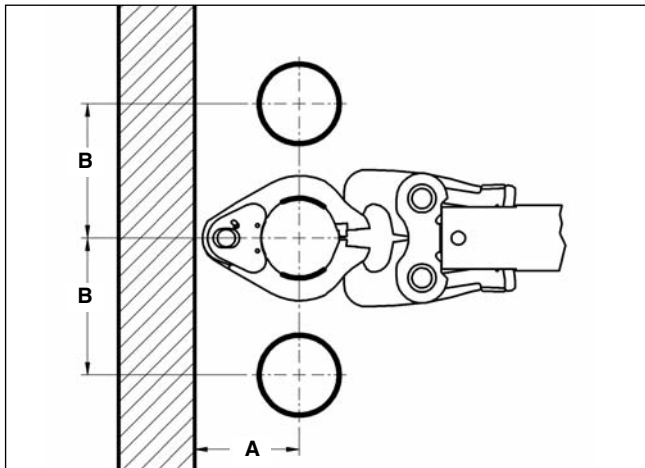


Tube Dia.	A (min.)		B (min.)		C (min.)	
	Inches	mm	Inches	mm	Inches	mm
2½"	5 ⁹ / ₁₆ "	141	7 ¹ / ₈ "	181	1 ⁵ / ₈ "	41
3"	6 ¹ / ₈ "	156	7 ¹⁵ / ₁₆ "	202	1 ¹¹ / ₁₆ "	43
4"	7 ⁵ / ₁₆ "	186	9 ⁵ / ₈ "	244	1 ³ / ₄ "	44

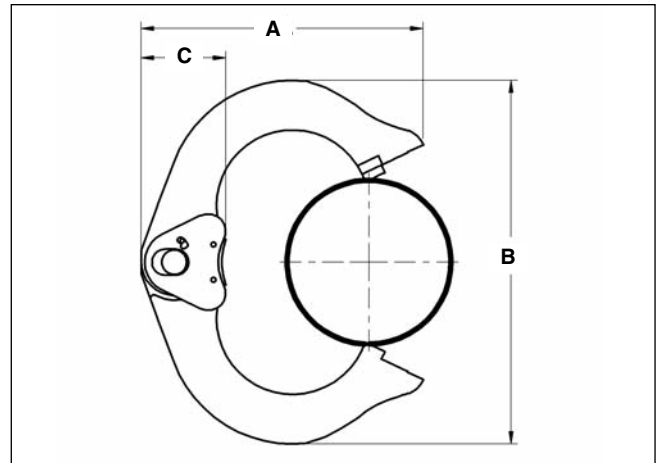


Tube Dia.	A (min.)		B (min.)		C (min.)	
	Inches	mm	Inches	mm	Inches	mm
2½"	3⅜"	86	5⅝"	137	¾"	95
3"	3⅝"	92	6"	152	4 ¹ / ₈ "	105
4"	4¼"	108	7⅝"	188	5"	127

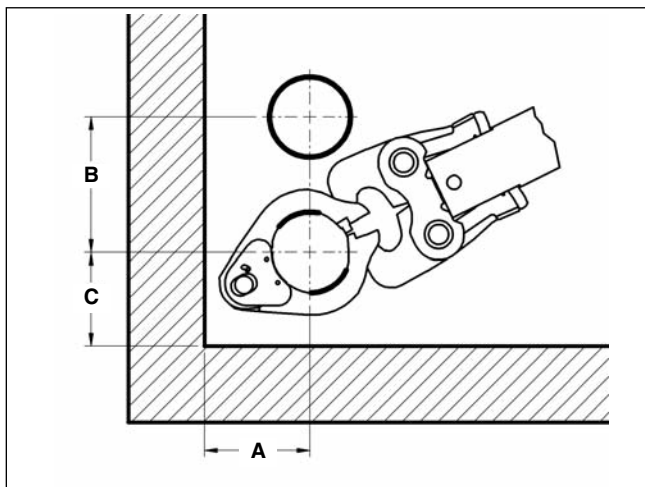
Clearance Requirements – ProPress XL-C Press Rings



Tube Dia.	A (min.)		B (min.)	
	Inches	mm	Inches	mm
2 1/2"	4 1/8"	105	6"	152
3"	4 3/8"	111	7"	178
4"	5"	127	8"	203

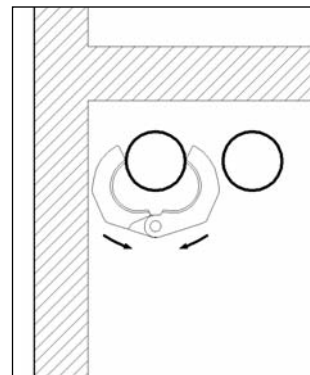


Tube Dia.	A (min.)		B (min.)		C (min.)	
	Inches	mm	Inches	mm	Inches	mm
2 1/2"	6 3/16"	157	6 15/16"	176	7 7/16"	62
3"	7 7/16"	189	8 13/16"	224	2 7/16"	62
4"	8 1/16"	205	10 7/16"	265	2 7/16"	62

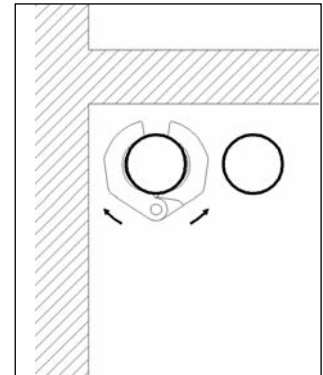


Tube Dia.	A (min.)		B (min.)		C (min.)	
	Inches	mm	Inches	mm	Inches	mm
2 1/2"	4 1/8"	105	6"	152	4 1/2"	114
3"	4 5/8"	111	7"	178	4 7/8"	124
4"	5"	127	8"	203	5 3/4"	146

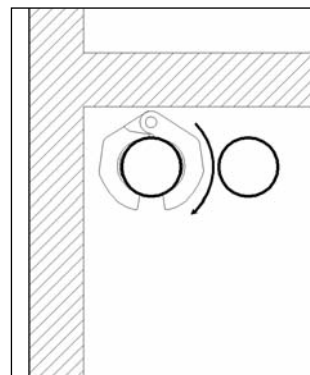
Tight Quarter Pressing Procedure – Pressing Rings



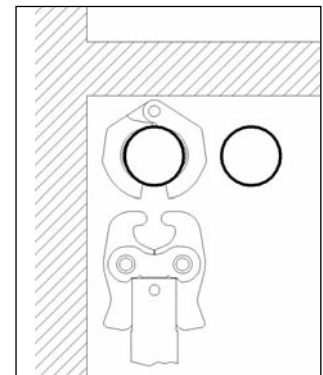
1. Place the press ring around the fitting from the front...



2. ...until the press ring is resting in the groove of the fitting.



3. Keep the press ring closed and rotate about the fitting until the opening is toward the front.



4. Insert the press ring actuator and start the press cycle.

Troubleshooting

SYMPTOM	POSSIBLE REASONS	SOLUTION
<p>Press connections produced are not complete.</p>	<p>Used wrong jaw set or press ring for the tube size or material.</p> <p>-----</p> <p>The jaw set or ring contour was not square to the tube.</p> <p>-----</p> <p>The jaw set or ring has exceed life expectations and may have failed.</p>	<p>Install correct jaw set.</p> <p>-----</p> <p>Redo the joint using new tube and fitting and make sure that the jaw set or ring is square to the fitting.</p> <p>-----</p> <p>If cracked, replace old jaw set with a new jaw set and redo the joint using new tube and fitting.</p>
<p>Excessively large or sharp fins present at press joint parting line where jaw or ring tips come together.</p>	<p>Fitting material build up on jaws or press rings in the contoured profile area near jaw or ring tips.</p> <p>-----</p> <p>Excessively worn or damaged jaws or press rings.</p>	<p>Clean jaw or press ring in the contoured area using metal polishing pads such as Scotch-Brite®. Refer to Maintenance Section for instructions.</p> <p>-----</p> <p>Discard jaws or press ring and replace with new RIDGID jaw set or press ring.</p>
<p>Jaws or rings stick to fitting excessively after completing press joint.</p>	<p>Fitting material build-up on jaws or press ring in the contoured profile area near jaw or ring tips.</p>	<p>Clean jaw or press ring contour area using metal polishing pads such as Scotch-Brite®. Refer to Maintenance Section for instructions.</p>

Sertisseuses prévues pour :

Systeme de raccordement ProPress®

Systeme de raccordement ProPress® XL

Systeme de raccordement ProPress® XL-C



AVERTISSEMENT

Familiarisez-vous bien avec le mode d'emploi avant d'utiliser l'appareil. L'incompréhension ou le non-respect des consignes ci-après augmenteraient les risques de choc électrique, d'incendie et/ou d'accident grave.

RIDGID®

Table des matières

Symboles de sécurité	21
Consignes générales de sécurité	
Sécurité du chantier	21
Sécurité électrique	21
Sécurité individuelle	22
Utilisation et entretien de l'appareil	22
Service après-vente	22
Consignes de sécurité particulières	
Sécurité de la sertisseuse	23
Description et caractéristiques	
Description	23
Caractéristiques	24
Inspection de la sertisseuse et de ses accessoires	26
Préparation de l'appareil et du chantier	
Montage des accessoires sur l'appareil	27
Calibrage de la sertisseuse en fonction de l'accessoire de sertissage utilisé (320-E uniquement)	27
Calibrage de la 320-E avec mâchoires type A	27
Calibrage de la 320-E avec actionneur type R2 (pour bagues de sertissage ProPress XL)	28
Calibrage de la 320-E avec actionneur V1 ou V2 (pour bagues de sertissage ProPress ou ProPress XL-C)	28
Préparation des raccords	
Préparation des tuyaux	28
Insertion des tuyaux dans les raccords	29
Sertissage des raccords	
Sertissage des raccords avec bague et actionneur	30
Inspection des raccords sertis	32
Entretien de l'appareil	33
Accessoires	
Système ProPress pour tuyaux cuivre	33
Entretien et stockage	34
Révisions et réparations	34
Encombrement des appareils	34
Dépannage	38
Garantie à vie	Page de garde

*Traduction de la notice originale

Symboles de sécurité

Des symboles et mots clés utilisés à la fois dans ce mode d'emploi et sur l'appareil lui-même servent à signaler d'importants risques de sécurité. Ce qui suit permettra de mieux comprendre la signification de ces mots clés et symboles.



Ce symbole sert à vous avertir aux dangers physiques potentiels. Le respect des consignes qui le suivent vous permettra d'éviter les risques de blessures graves ou mortelles.



DANGER Le terme DANGER signifie une situation dangereuse potentielle qui, faute d'être évitée, provoquerait la mort ou de graves blessures corporelles.



AVERTISSEMENT Le terme AVERTISSEMENT signifie une situation dangereuse potentielle qui, faute d'être évitée, serait susceptible d'entraîner la mort ou de graves blessures corporelles.



CAUTION Le terme CAUTION signifie une situation dangereuse potentielle qui, faute d'être évitée, serait susceptible d'entraîner des blessures corporelles légères ou modérées.



AVIS IMPORTANT Le terme AVIS IMPORTANT signifie des informations concernant la protection des biens.



Ce symbole indique la nécessité de lire le manuel soigneusement avant d'utiliser le matériel. Le mode d'emploi renferme d'importantes informations concernant la sécurité d'utilisation du matériel.



Ce symbole indique le port obligatoire de lunettes de sécurité lors de la manipulation ou utilisation du matériel.



Ce symbole signale un risque d'écrasement des mains, des doigts ou d'autres parties du corps.



Ce symbole signifie un risque de choc électrique.

Consignes générales de sécurité*

AVERTISSEMENT

Familiarisez-vous avec l'ensemble des consignes de sécurité et d'utilisation afin d'éviter les risques de choc électrique, d'incendie et/ou de grave blessure corporelle.

CONSERVEZ L'ENSEMBLE DES CONSIGNES DE SÉCURITÉ ET D'UTILISATION POUR FUTURE RÉFÉRENCE !

Le terme «appareil électrique» utilisé dans les consignes de sécurité signifie à la fois les appareils sur secteur et les appareils à piles (sans fils).

Sécurité du chantier

- **Assurez-vous de la propreté et du bon éclairage des lieux.** Les zones encombrées ou mal éclairées sont une invitation aux accidents.
- **N'utilisez pas d'appareils électriques en présence de matières explosives telles que liquides, gaz ou poussières combustibles.** Les appareils électriques produisent des étincelles susceptibles d'enflammer les poussières et émanations combustibles.
- **Éloignez les enfants et les curieux lors de l'utilisation d'un appareil électrique.** Les distractions risquent de vous faire perdre le contrôle de l'appareil.

Sécurité électrique

- **La fiche électrique de l'appareil doit correspondre à la prise de courant utilisée. Ne tentez jamais de modifier la fiche. N'utilisez jamais d'adaptateur sur une fiche électrique avec mise à la terre.** Les fiches intactes et adaptées aux prises de courant utilisées limitent les risques de choc électrique.
- **Évitez tout contact avec les objets reliés à la terre tels que canalisations, radiateurs, cuisinières et réfrigérateurs.** Tout contact avec la terre augmenterait les risques de choc électrique.
- **N'exposez pas l'appareil à la pluie ou aux intempéries.** Toute pénétration d'eau à l'intérieur d'un appareil électrique augmenterait les risques de choc électrique.
- **Ne maltraitez pas le cordon d'alimentation de l'appareil. Ne jamais utiliser le cordon d'alimentation pour porter, tirer ou débrancher l'appareil. Éloignez le cordon d'alimentation des sources de chaleur, de l'huile, des objets tranchants et des mécanismes.** Les cordons d'alimentation endommagés ou enchevêtrés augmentent les risques de choc électrique.
- **Lors de l'utilisation d'un appareil électrique à l'extérieur, prévoyez une rallonge électrique adaptée.** L'utilisation d'une rallonge électrique homologuée pour

* Le texte utilisé sous la rubrique intitulée Consignes générales de sécurité de ce mode d'emploi est une reproduction fidèle des aléas obligatoires correspondants de la norme UL/CSA 60745. Cette section couvre les consignes de sécurité applicables à de nombreux types d'appareils électriques. Les précautions indiquées ne sont pas toutes applicables à chaque type d'appareil, et certaines ne s'appliquent pas à celui-ci.

usage extérieur limitera les risques de choc électrique.

- **S'il est nécessaire d'utiliser un appareil électrique dans des lieux mouillés, prévoyez une source d'alimentation protégée par disjoncteur différentiel.** L'utilisation d'un disjoncteur différentiel réduit les risques de choc électrique.

Sécurité individuelle

- **Soyez attentif, faites attention à ce que vous faites et faites preuve de bon sens lors de l'utilisation d'un appareil électrique. N'utilisez pas d'appareil électrique lorsque vous êtes sous l'influence de drogues, de l'alcool ou de médicaments.** Lors de l'utilisation d'un appareil électrique, un instant d'inattention risque d'entraîner de graves lésions corporelles.
- **Prévoyez les équipements de protection individuelle nécessaires. Portez systématiquement une protection oculaire.** Le port d'équipements de protection tels que masque à poussière, chaussures antidérapantes, casque de chantier et protecteurs d'oreilles limite les risques de lésions corporelles.
- **Évitez les démarrages accidentels en vous assurant que l'interrupteur marche/arrêt de l'appareil se trouve en position «arrêt» avant de le brancher, d'y introduire le bloc-piles ou de prendre l'appareil en main.** Le fait de porter un appareil électrique avec son doigt sur la gâchette, voire de le brancher lorsque son interrupteur se trouve en position «marche» serait une invitation aux accidents.
- **Retirez toutes clés de réglage éventuelles avant de mettre l'appareil en marche.** Une clé laissée sur un élément rotatif quelconque de l'appareil risque de provoquer des accidents.
- **Ne vous mettez pas en porte-à-faux. Maintenez une bonne position de travail et un bon équilibre à tout moment.** Cela vous permettra de mieux contrôler l'appareil en cas d'imprévu.
- **Habillez-vous de manière appropriée. Ne portez ni vêtements amples ou bijoux. Éloignez vos cheveux, vos vêtements et vos gants des mécanismes.** Les vêtements flottants, les bijoux et les cheveux longs risquent d'être entraînés par les éléments rotatifs de l'appareil.
- **En présence d'un système de récupération et d'évacuation de poussière, assurez-vous que celui-ci est correctement raccordé et utilisé.** L'emploi de récupérateurs de poussière sert à limiter les risques sanitaires liés à la présence de poussières.

Utilisation et entretien des appareils électriques

- **Ne forcez pas l'appareil. Prévoyez l'appareil approprié en fonction des travaux envisagés.** L'appareil approprié fera le travail plus efficacement et avec un plus grand niveau de sécurité lorsqu'il tourne au régime prévu.
- **N'utilisez pas d'appareil électrique dont l'interrupteur n'assure pas sa mise en marche ou son arrêt.** Tout appareil électrique qui ne peut pas être contrôlé par son interrupteur est dangereux et doit être réparé.
- **Débranchez l'appareil et/ou retirez son bloc-piles avant tout réglage, stockage ou changement d'accessoires.** De telles mesures préventives limiteront les risques de démarrage accidentel de l'appareil.
- **Rangez tout appareil non utilisé hors de la portée des enfants et des individus qui n'ont pas été familiarisés avec ce type de matériel ou son mode d'emploi.** Les appareils électriques sont dangereux entre les mains d'utilisateurs non initiés.
- **Entretenez les appareils électriques. Examinez-les pour signes de grippage, de bris et de toute autre anomalie qui risquerait de nuire à leur bon fonctionnement. Le cas échéant, fait réparer l'appareil avant de l'utiliser.** De nombreux accidents sont provoqués par des appareils électriques mal entretenus.
- **Assurez l'affûtage et la propreté des outils de coupe.** Les outils de coupe bien entretenus et bien affûtés sont moins susceptibles de gripper et sont plus faciles à contrôler.
- **Servez-vous de l'appareil, de ses accessoires, de ses mèches, etc. selon les consignes du mode d'emploi et des conditions de travail présentes.** L'utilisation d'un appareil électrique à des fins autres que celles prévues pourrait entraîner des situations dangereuses.

Réparations

- **Confiez l'appareil à un réparateur qualifié se servant exclusivement de pièces de rechange d'origine.** Cela sera garant de la sécurité opérationnelle de l'appareil.

Consignes de sécurité particulières

⚠ AVERTISSEMENT

Cette section contient d'importantes informations sur ce type d'appareil particulier.

Lisez ces précautions soigneusement avant de vous servir des accessoires de la sertisseuse afin de limiter les risques de choc électrique et d'accident grave.

CONSERVEZ CES INSTRUCTIONS !

Il est prévu un compartiment dans la mallette de transport de la sertisseuse pour loger le mode d'emploi et le garder à portée de main de l'utilisateur.

En cas de questions concernant ce produit Ridge Tool :

- Consultez votre distributeur RIDGID®.
- Consultez les sites www.RIDGID.com ou www.RIDGID.eu pour localiser le représentant Ridge Tool le plus proche.
- Consultez les services techniques de Ridge Tool par mail adressé à rttechservices@emerson.com, ou, à partir des États-Unis et du Canada, en composant le (800) 519-3456.

Sécurité de la sertisseuse

- **N'utilisez cette sertisseuse RIDGID qu'avec des mâchoires et bagues de sertissage RIDGID ProPress.** Toute utilisation ou modification des mâchoires en vue d'applications autres que prévues risquerait d'endommager la sertisseuse, endommager ses mâchoires et/ou provoquer des accidents.
- **Eloignez vos mains des mâchoires, bagues de sertissage et actionneur durant le cycle de sertissage.** Il y a risque d'écrasement ou d'amputation des doigts et des mains en cas de prise entre les mâchoires, bagues de sertissage et actionneur ou entre ces éléments et tout autre objet.
- **Ne jamais tenter de réparer d'actionneurs ou bagues de sertissage endommagés.** Les actionneurs, mâchoires ou bagues de sertissage qui ont été soudés, meulés, percés ou modifiés d'une manière quelconque risquent d'éclater en cours d'opération et provoquer de graves blessures. Remplacez tout jeu de mâchoires endommagé par une nouvelle paire de mâchoires. Outre les ressorts de rappel, ne jamais tenter de remplacer les composants individuels d'un jeu de mâchoires. Veuillez consulter les services techniques de la Ridge Tool Company pour toutes questions de disponibilité.
- **Avant toute utilisation, familiarisez-vous avec le mode d'emploi, les instructions visant l'utilisation des mâchoires, celles du fabricant des raccords et**

celles de tout autre matériel utilisé en conjonction avec l'appareil. Le non-respect de l'ensemble des consignes correspondantes augmenterait les risques d'accident et de dégâts matériels.

AVIS IMPORTANT Le choix des matériaux et moyens de raccordement appropriés est la responsabilité du bureau d'études et/ou de l'installateur. Avant toute tentative d'installation, il convient d'effectuer une analyse approfondie du milieu d'exploitation prévu, notamment en ce qui concerne le milieu chimique et les températures d'exploitation.

Description et caractéristiques

Description

Lorsqu'ils sont utilisés en conjonction avec les sertisseuses RIDGID appropriées, les accessoires de sertissage RIDGID pour systèmes ProPress® assurent le sertissage étanche et permanent des raccords ProPress sur canalisations. Lorsque l'on appui sur la gâchette de la sertisseuse, un moteur entraîne une pompe hydraulique qui, à son tour, envoi du fluide sous pression dans le cylindre de l'appareil. Cela fait avancer les galets de l'appareil contre l'accessoire utilisé afin d'appliquer une force de plusieurs milliers de livres contre un raccord de sertissage spécialement prévu.

NOTA ! ProPress® est une marque déposée de la société Viega GmbH & Co.

A compter du moment où l'on appui sur la gâchette, le cycle de sertissage au complet prend entre 4 et 8 secondes. Dès que l'appareil commence à déformer le raccord, il continuera automatiquement jusqu'à ce que le sertissage soit terminé.

Des accessoires de sertisseuse RIDGID sont prévus pour les systèmes ProPress suivants :

- ProPress
- ProPress XL
- ProPress XL-C

ProPress

RIDGID propose des mâchoires, bagues et actionneurs de sertissage pour les types de raccords ProPress suivants :

- Mâchoires ProPress série Standard pour raccords ProPress Ø 1/2 à 2 po.
- Mâchoires ProPress série Compact pour raccords ProPress Ø 1/2 à 1 po.
- Bagues ProPress pour raccords ProPress Ø 1/2 à 2 po :
 - Bagues ProPress Ø 1 1/2 po et Ø 2 po pour sertisseuses série Standard équipées d'un actionneur type V2.

- Bagues ProPress Ø 1/2 à 1 1/4 po pour sertisseuses série Standard équipées d'un actionneur type V1 ou sertisseuses série Compact équipées d'un actionneur type C1.

Mâchoires ProPress série Standard

Les mâchoires ProPress série Standard sont prévues pour le sertissage des raccords ProPress sur tuyaux Ø 1/2, 3/4, 1, 1 1/4, 1 1/2 et 2 po. Chaque section de tuyau nécessite l'utilisation d'un jeu de mâchoires spécifique. Les mâchoires de la série Standard sont destinées aux sertisseuses série Standard telles que les modèles CT-400, 320-E et RP 330. Les mâchoires série Standard ne peuvent pas être utilisées sur les sertisseuses RIDGID de la série Compact telles que la 100B ou la RP 210. Les sertisseuses et leurs mâchoires doivent être tenues à l'équerre du tuyau et raccord à sertir.

Réf. catalogue	Ø	Poids
76652	1/2 po	1,70 kg (3,75 livres)
76657	3/4 po	1,76 kg (3,90 livres)
76662	1 po	1,88 kg (4,15 livres)
76667	1 1/4 po	1,95 kg (4,30 livres)
76672	1 1/2 po	2,93 kg (6,45 livres)
76677	2 po	4,26 kg (9,40 livres)



Figure 1 – Mâchoires ProPress série Standard

Mâchoires ProPress série Compact

Les mâchoires Compact ProPress servent au sertissage mécanique des raccords ProPress sur tuyaux Ø 1/2", 3/4", 1" et 1 1/4". Chacune de ces sections de tuyau nécessite un jeu de mâchoires spécifique. Les mâchoires de la série Compact sont compatibles avec les sertisseuses RIDGID Compact tels que la 100-B et la RP-210. Les mâchoires de la série Compact ne sont pas compatibles avec les sertisseuses RIDGID de la série Standard tels que les CT-400, 320-E ou RP 330. Lors du sertissage, les mâchoires et les sertisseuses doivent être tenues perpendiculairement par rapport au raccord et au tuyau.

Réf. catalogue	Ø	Poids
16958	1/2 po	1,14 kg (2,50 livres)
16963	3/4 po	1,01 kg (2,22 livres)
16978	1 po	1,03 kg (2,28 livres)
31228	1 1/4 po	1,15 kg (2,56 livres)



Figure 2 – Mâchoires ProPress série Compact

Bagues ProPress

Les bagues ProPress servent au sertissage des raccords ProPress sur tuyaux Ø 1/2, 3/4, 1, 1 1/4, 1 1/2 et 2 po. Chaque section de tuyau nécessite l'utilisation d'un jeu de mâchoires spécifique. Les bagues Ø 1/2 à 1 1/4 po sont adaptées à la fois aux sertisseuses série Standard telles que les modèles CT-400, 320-E et RP 330 équipées d'actionneurs type V1, et aux sertisseuses série Compact telles que les 100B et RP 210 équipées d'actionneurs type C1. Les bagues Ø 1 1/2 et 2 po nécessitent l'utilisation d'une sertisseuse série Standard équipée d'un actionneur V2. Les bagues ProPress Ø 1 1/2 et 2 po ne peuvent pas être utilisées avec une sertisseuse de la série Compact.

Les bagues ProPress doivent être tenues à l'équerre du raccord et du tuyau à sertir, mais les logements d'embouts d'actionneur des bagues permettent à l'actionneur et à la sertisseuse de tourner sur 90 degrés de part et d'autre de celles-ci. Ceci permet aux bagues à actionneur d'accéder à des endroits qu'une sertisseuse à mâchoires ne pourrait pas atteindre. L'actionneur de dimension appropriée est indiqué sur chaque bague ProPress.

Réf. catalogue	Description	Poids
27998	Bague ProPress Ø 1/2 po	0,23 kg (0,50 livres)
28003	Bague ProPress Ø 3/4 po	0,32 kg (0,70 livres)
28008	Bague ProPress Ø 1 po	0,41 kg (0,90 livres)
28013	Bague ProPress Ø 1 1/4 po	0,45 kg (1,00 livres)
28018	Bague ProPress Ø 1 1/2 po	0,61 kg (1,35 livres)
28023	Bague ProPress Ø 2 po	0,91 kg (2,00 livres)
26163	Actionneur type C1	0,95 kg (2,10 livres)
28033	Actionneur type V1	2,18 kg (4,80 livres)
21878	Actionneur type V2	2,13 kg (4,70 livres)



Figure 3 – Bague et actionneur

ProPress XL

RIDGID propose des bagues ProPress XL pour utilisation avec les raccords ProPress XL. Les bagues ProPress XL servent au sertissage des raccords ProPress XL sur tuyaux Ø 2 1/2, 3 et 4 po. Chaque section de tuyau nécessite l'utilisation d'une bague spécifique. Les bagues ProPress XL sont adaptées aux sertisseuses de la série Standard telles que les CT-400, 320-E et RP 330 équipées d'actionneurs type R2. Les bagues ProPress XL ne peuvent pas être utilisées avec les sertisseuses de la série Compact.

La bague ProPress XL, l'actionneur et la sertisseuse doivent être tenus à l'équerre du raccord et du tuyau à sertir. Le logement de mâchoires d'actionneur des bagues ProPress XL ne permettent pas le déportement de la sertisseuse et son actionneur par rapport à l'alignement de la bague.

Réf. catalogue	Description	Poids
93677	Bague de sertissage XL Ø 2 1/2 po	2,04 kg (4,50 livres)
93682	Bague de sertissage XL Ø 3 po	2,95 kg (6,50 livres)
93687	Bague de sertissage XL Ø 4 po	2,95 kg (6,50 livres)
93692	Actionneur R2	3,81 kg (8,40 livres)
16803	Mallette de transport	4,08 kg (9,00 livres)

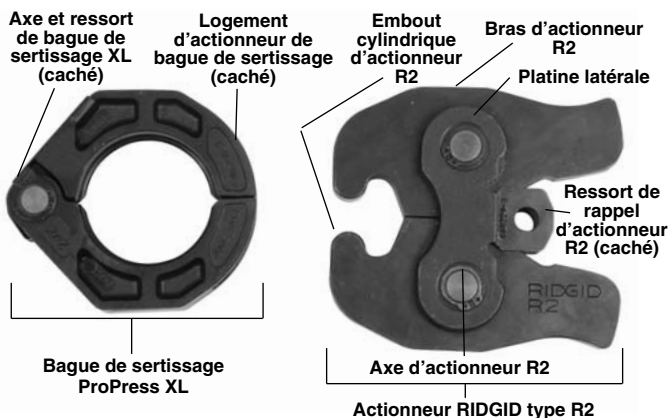


Figure 4 – Bague de sertissage ProPress XL et actionneur RIDGID type R2

ProPress XL-C

RIDGID propose des bagues ProPress XL-C pour utilisation avec les raccords ProPress XL-C. Les bagues ProPress XL-C servent au sertissage des raccords ProPress XL-C sur tuyaux Ø 2 1/2, 3 et 4 po. Chaque section de tuyau nécessite l'utilisation d'une bague spécifique. Les bagues ProPress XL-C sont adaptées aux sertisseuses de la série Standard telles que les CT-400, 320-E et RP 330 équipées d'actionneurs type V2. Les bagues ProPress XL-C ne peuvent pas être utilisées avec les sertisseuses de la série Compact.

La bague ProPress XL-C, l'actionneur et la sertisseuse doivent être tenus à l'équerre du raccord et du tuyau à sertir, mais les logements d'embouts d'actionneur des bagues permettent à l'actionneur et à la sertisseuse de tourner sur 90 degrés de par et d'autre de celles-ci.

Réf. catalogue	Description	Poids
20543	Bague de sertissage XL-C Ø 2 1/2 po	2,48 kg (5,46 livres)
20548	Bague de sertissage XL-C Ø 3 po	4,37 kg (9,63 livres)
20553	Bague de sertissage XL-C Ø 4 po	5,03 kg (11,08 livres)
21878	Actionneur V2	3,04 kg (6,71 livres)
21103	Mallette de transport	2,79 kg (6,15 livres)

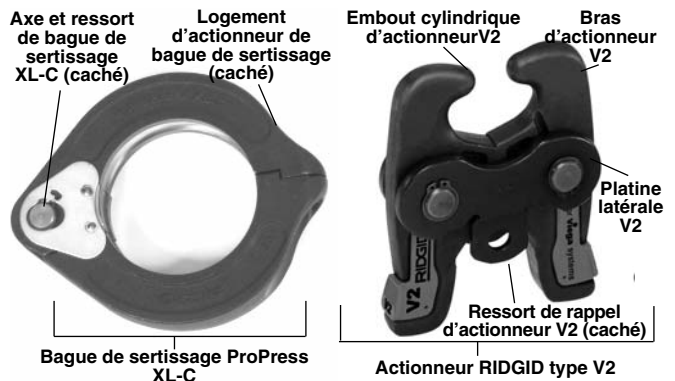


Figure 5 – Bague de sertissage ProPress XL-C et actionneur RIDGID type V2

Les accessoires de sertissage RIDGID sont protégés par un nombre de brevets et de brevets en instance, a la fois américains et internationaux, dont les brevets américains suivants :

6,434,998	6,477,757	6,694,586	6,729,009	6,923,037
7,000,448	7,059,166	7,146,839	7,155,955	7,188,508
7,237,427	7,260,975	7,363,799	D562,098	

⚠ AVERTISSEMENT N'utilisez que les sertisseuses et accessoires de sertisseuse RIDGID (mâchoires, bagues, actionneurs, etc.) préconisés par le fabricant du système de raccordement envisagé. L'utilisation de sertisseuses ou accessoires mal adaptés risque de compromettre l'étanchéité du réseau, endommager la sertisseuse et son accessoire, annuler les garanties applicables ou provoquer de graves lésions corporelles.

⚠ AVIS IMPORTANT Consultez le fabricant du système de raccordement pour toutes informations nécessaires,

telles que compatibilité des divers types de tuyaux et de matériaux, instructions d'installation, distances minimales entre raccords, types de joints d'étanchéité à prévoir, inspection et essais, etc. Une installation mal adaptée risque de compromettre l'étanchéité du réseau et provoquer d'importants dégâts matériels

Consultez les services techniques de la Ridge Tool Company en composant le (800) 519-3456 ou en visitant son site à rttechservices@emerson.com pour une liste des fabricants de raccords et accessoires sertis qui préconisent les sertisseuses et accessoires RIDGID.

Inspection de la sertisseuse et des accessoires

⚠ AVERTISSEMENT



Examinez la sertisseuse et ses accessoires au quotidien et corrigez tout problème éventuel afin de limiter les risques blessure grave en cas de choc électrique, défaillance de l'appareil ou d'un accessoire ou autres anomalies, et afin d'éviter la détérioration de l'appareil et les risques de dégâts matériels.

1. Examinez la sertisseuse selon les indications de son mode d'emploi particulier.
2. Éliminez toutes traces d'huile, de graisse ou de crasse de l'appareil et des accessoires, notamment au niveau des poignées et commandes de ceux-ci. Cela limitera les risques de perte de contrôle de l'appareil et en facilitera l'inspection.
3. Examinez de près les accessoires (mâchoires, bagues, actionneurs, etc.) pour signes de fissuration, bris, usure, absence, mauvais alignement ou grippage, ainsi que pour toute indication de défaillance potentielle qui pourrait nuire au bon fonctionnement et à la sécurité de l'appareil. De telles anomalies sont susceptibles de nuire à la qualité des sertissages, d'endommager l'appareil lui-même en cours d'utilisation, et de provoquer de graves blessures ou dégâts matériels. Le cas échéant, l'accessoire en question devra être mis au rebut et remplacé.

⚠ AVERTISSEMENT Mettez l'accessoire tout entier au rebut. Ne jamais tenter de remplacer l'un de ses composants ou l'échanger contre celui d'un autre. Cela pourrait entraîner la défaillance de la pièce et de graves blessures.

Ne pas tenter de modifier les accessoires de sertissage ou d'utiliser des accessoires déjà modifiés. Tout accessoire préalablement soudé, meulé, percé ou modifié d'une manière quelconque risque d'éclater en cours de sertissage et projeter des débris dangereux, voire potentiellement mortels. Éliminez et remplacez tout accessoire endommagé.

4. Examinez les repères signalétiques des accessoires afin de vous assurer qu'ils indiquent clairement le type de système et la section de raccord approprié. N'utilisez pas d'accessoire qui ne soit pas clairement identifié.
5. Examinez les surfaces d'attaque des accessoires. En présence de rouille, de crasse ou d'accumulation de résidus de raccords, nettoyez l'élément selon les indications du chapitre « Entretien ». Il est nécessaire de maintenir la propreté des surfaces de sertissage afin d'éviter la formation de bavures et le collage de l'accessoire au raccord en cours d'opération, et d'assurer l'intégrité des raccords sertis.
6. Assurez-vous que les ressorts sont intact et retiennent bien l'accessoire dans la position indiquée (bagues, mâchoires et actionneurs fermés). Les accessoires doivent s'ouvrir et fermer complètement et librement. Au besoin, lubrifiez les pivots à l'aide d'une huile légère. Éliminez toutes traces d'huile excédentaire de l'accessoire.

Préparation de l'appareil et du chantier

⚠ AVERTISSEMENT



Préparez la sertisseuse, l'accessoire utilisé et le chantier de la manière suivante afin de limiter les risques de blessure par choc électrique ou autres causes et éviter les dégâts matériels.

1. Examinez le travail à effectuer afin de déterminer
 - Le système de raccordement prévu
 - Les sections des raccords prévues
 - Le débattement disponible à la sertisseuse et aux accessoires en vue d'effectuer les raccords sertis.
2. Identifiez le type de sertisseuse et d'accessoire nécessaire en fonction de l'application envisagée. Consultez le chapitre « Description et Caractéristiques » pour les

consignes d'application des accessoires pour systèmes ProPress disponibles. Les débattements nécessaires aux divers accessoires sont indiqués à la fin du manuel. Des informations sur les sertisseuses et accessoires de sertissage RIDGID se trouvent à www.RIDGID.com ou peuvent être obtenues auprès des services techniques de Ridge Tool en composant le (800) 519-3456 ou par mail en s'adressant à rttechservices@emerson.com.

N'utilisez les sertisseuses RIDGID et les accessoires de sertissage RIDGID (mâchoires, bagues, actionneurs, etc.) que lorsque ceux-ci ont été préconisés par le fabricant du système de raccordement envisagé. Assurez-vous de disposer de l'actionneur adapté au type de bague utilisée. Les bagues sont repérées en fonction de l'actionneur correspondant. L'utilisation d'une sertisseuse ou d'un accessoire inadapté risque de provoquer des fuites, endommager la sertisseuse et l'accessoire ou entraîner de graves blessures corporelles.

3. Assurez-vous que la sertisseuse et l'accessoire utilisés ont bien été inspectés selon les consignes de leurs manuels respectifs.
4. Respectez le processus de préparation indiqué au mode d'emploi de la sertisseuse utilisée.

Montage des accessoires sur la sertisseuse

1. Vérifiez que la sertisseuse est débranchée ou que son bloc-piles a été retiré.
2. Retirez la broche de montage de la sertisseuse. Si la sertisseuse est déjà équipée d'un accessoire retirez-le en vous reportant à la *Figure 6*.

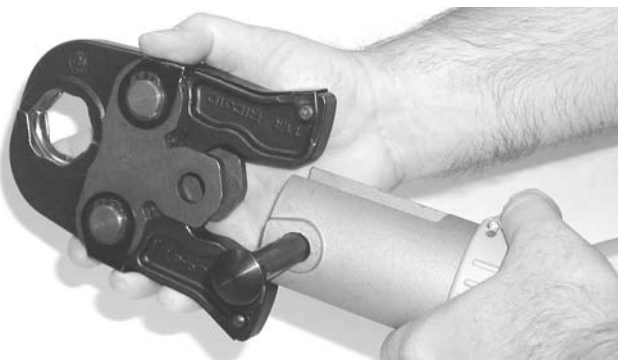


Figure 6 – Retrait de la broche de montage de la sertisseuse

3. Enfilez l'accessoire sur la sertisseuse, puis engagez la broche de montage à fond. La sertisseuse ne fonctionnera pas si sa broche de montage n'est pas complètement engagée.

Calibrage de la sertisseuse en fonction de l'accessoire utilisé (sertisseuse 320-E uniquement)

La sertisseuse RIDGID 320-E est équipée d'un dispositif qui garantit l'intégralité de chaque sertissage. Lors du montage d'un accessoire, la sertisseuse entame un cycle de calibrage de ce dispositif. Ensuite, la 320-E compare ce cycle de calibrage à chaque sertissage effectué. Si le raccord serti ne correspond pas au cycle de calibrage d'origine, la 320-E avertit l'utilisateur qu'une erreur de sertissage a eu lieu afin qu'il puisse prendre les mesures appropriées.

Des données de calibrage spécifiques sont affichées plus loin pour chaque type d'accessoire. Reportez-vous au mode d'emploi de la 320-E ou consultez les services techniques de Ridge Tool en cas de questions à cet égard.

Calibrage de la 320-E équipée de mâchoires

1. Assurez-vous que la 320-E est équipée des mâchoires appropriées.
2. Introduisez un bloc-piles chargé dans l'embase de la poignée de la 320-E.
3. Appuyez une fois sur la touche marche/arrêt de l'écran d'affichage afin d'activer l'appareil. L'alarme sonore devrait alors émettre un seul top sonore, et les trois témoins LED devraient clignoter une fois. Ensuite, le témoin LED vert devrait se mettre à clignoter pour signaler le besoin d'un calibrage.

L'appareil se mettra automatiquement en mode « veilleuse » s'il reste inactif pendant dix (10) minutes. Pour réactiver l'appareil, il sera alors nécessaire d'appuyer à nouveau sur la touche marche/arrêt de l'écran d'affichage.

4. Complétez un cycle de sertissage avec une mâchoire à ciseaux vide (sans raccord). Le témoin LED vert devrait alors rester allumé pour indiquer que l'appareil a été correctement calibré. L'appareil est alors prêt à sertir des raccords. L'appareil restera calibré aussi longtemps que les mâchoires restent montées, sauf s'il reste inactif pendant plus de soixante (60) minutes. Le cas échéant, signalé par le clignotement du témoin LED vert une fois l'appareil réactivé, le processus de calibrage devra être répété.

Afin d'assurer une détection précise de la fermeture des mâchoires, le processus de calibrage devrait être répété à chaque remplacement de mâchoires ou d'actionneur, voire à chaque fois que la broche de montage est retirée.

Calibrage de la 320-E équipée d'un actionneur R2 pour bagues ProPress XL

1. Introduisez un bloc-piles chargé dans la poignée de la sertisseuse 320-E.
2. Appuyez une fois sur la touche marche/arrêt de l'écran d'affichage afin d'activer l'appareil. L'alarme sonore devrait alors émettre un seul top sonore, et les trois témoins LED devraient clignoter une fois. Ensuite, le témoin LED vert devrait se mettre à clignoter pour signaler le besoin d'un calibrage.

L'appareil se mettra automatiquement en mode « veilleuse » s'il reste inactif pendant dix (10) minutes. Pour réactiver l'appareil, il sera alors nécessaire d'appuyer à nouveau sur la touche marche/arrêt de l'écran d'affichage.

3. Complétez un cycle de sertissage avec un actionneur R2 vide (sans bague de sertissage). Le témoin LED continuera de clignoter, mais le dispositif de détection de position de piston sera désactivé. En raison de la forme des bagues de sertissage, il est impossible de détecter la fermeture des mâchoires, car les bagues ne se ferment jamais complètement. L'appareil est alors prêt à sertir des raccords ProPress XL. Le détecteur de position de piston de l'appareil restera désactivé tant que l'actionneur de bagues est installé, sauf si l'appareil reste inactif pendant plus de soixante (60) minutes. Le cas échéant, après avoir réactivé l'appareil en appuyant sur la touche marche/arrêt de l'écran d'affichage, il sera nécessaire de répéter le processus de calibrage.

Le processus de calibrage devrait être répété à chaque changement d'actionneur R2 afin de neutraliser le dispositif de détection de position de piston.

Calibrage de la 320-E équipée d'un actionneur V1 ou V2 pour bagues ProPress ou ProPress XL

1. Assurez-vous que la 320-E est équipée de l'actionneur approprié (V1 ou V2).
2. Introduisez un bloc-piles chargé dans la poignée de la sertisseuse 320-E.
3. Appuyez une fois sur la touche marche/arrêt de l'écran d'affichage afin d'activer l'appareil. L'alarme sonore devrait alors émettre un seul top sonore, et les trois témoins LED devraient clignoter une fois. Ensuite, le témoin LED vert devrait se mettre à clignoter pour signaler le besoin d'un calibrage.

L'appareil se mettra automatiquement en mode « veilleuse » s'il reste inactif pendant dix (10) minutes. Pour réactiver l'appareil, il sera alors nécessaire

d'appuyer à nouveau sur la touche marche/arrêt de l'écran d'affichage.

4. Ouvrez l'actionneur pour l'enfiler dans la bague de sertissage prévue.
5. Complétez un cycle de sertissage avec une mâchoire à ciseaux vide (sans raccord). Le témoin LED vert devrait alors rester allumé pour indiquer que l'appareil a été correctement calibré. L'appareil est alors prêt à sertir des raccords. L'appareil restera calibré aussi longtemps que les mâchoires restent montées, sauf s'il reste inactif pendant plus de soixante (60) minutes. Le cas échéant, signalé par le clignotement du témoin LED vert une fois l'appareil réactivé, le processus de calibrage devra être répété.
6. Pour changer de diamètre de raccord (donc, de bague), tout en utilisant l'actionneur déjà installé, il sera nécessaire de recalibrer la nouvelle combinaison de bague et d'actionneur. Pour ce faire, la broche de montage de l'appareil doit être partiellement retirée puis renfoncée. Cette action sert à effacer le calibrage précédent. Le témoin LED vert devrait alors clignoter pour indiquer que l'appareil est prêt à être calibré. Répétez ensuite l'étape 5 pour la nouvelle combinaison de bague et d'actionneur.

Préparation des raccords

AVIS IMPORTANT Les consignes ci-présentes couvrent les généralités. Respectez systématiquement les indications du fabricant des raccords. Le non-respect des consignes du fabricant de raccords pourrait nuire à la qualité des raccords sertis et provoquer des fuites susceptibles d'occasionner des dégâts matériels.

Préparation des tuyaux

1. Si nécessaire, coupez le tuyau à longueur en fonction du système de raccordement utilisé. Servez-vous d'un coupe-tubes ou autre méthode qui assure une coupe franche et d'équerre à l'axe du tuyau. Lors de l'emploi d'un étau ou d'un autre moyen de soutenir le tuyau en cours de coupe, assurez-vous que l'étau se trouve assez loin de l'extrémité du tuyau pour ne pas endommager la partie devant s'insérer dans le raccord. Les tuyaux égratignés ou déformés peuvent provoquer des fuites.
2. Ébarbez l'intérieur et l'extérieur du tuyau à l'aide d'une lime, d'un alésoir ou d'un autre outil approprié. Une bavure risque de couper le joint d'étanchéité du raccord et provoquer des fuites.
3. Éliminez toutes traces de crasse, d'huile et de graisse de l'extrémité du tuyau. Un tuyau mal préparé risque

de nuire à la qualité du raccord et provoquer des fuites ou autres dégâts matériels.

Insertion des tuyaux dans les raccords

1. Examinez le raccord selon les consignes du fabricant afin de vous assurer qu'il est complet, correctement assemblé et propre. Des éléments manquants ou sales risquent de nuire à la qualité du raccord et provoquer des fuites ou autres dégâts matériels (Figure 7).



Figure 7A – Inspection d'un raccord ProPress selon les consignes du fabricant



Figure 7B – Inspection d'un raccord ProPress XL avant insertion du tuyau

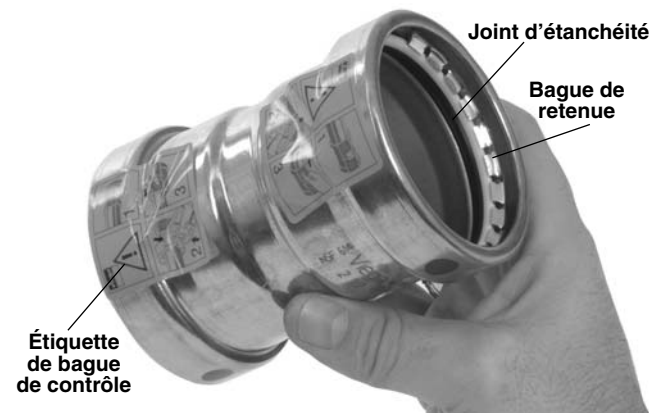


Figure 7C – Inspection d'un raccord ProPress XL-C avant insertion du tuyau

2. Certains systèmes demandent le marquage du tuyau avant son insertion. Vérifiez les instructions du fabricant et, le cas échéant, marquez le tuyau à la distance appropriée à l'aide d'un marqueur permanent. Cela sert de repère d'insertion montrant que le tuyau est bien enfoncé à fond dans le raccord avant son sertissage (Figure 8).

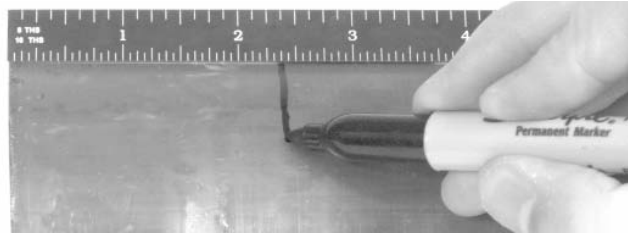


Figure 8 – Marquage du tuyau avant son insertion dans le raccord

3. Enfoncez le tuyau à fond dans le raccord. La majorité des raccords sont équipés de butées d'insertion. Les raccords qui n'en ont pas laissent passer le tuyau complètement à travers le raccord et sont généralement utilisés pour les réparations. À défaut d'une butée d'insertion, introduisez le tuyau jusqu'à ce que le repère rapporté lors de l'étape précédente arrive à fleur de l'extrémité du raccord. Dans certains cas, le fait de tourner le tuyau en l'introduisant peut faciliter son insertion. Sauf indication contraire du fabricant des raccords, ne jamais utiliser de lubrifiants. Les lubrifiants peuvent endommager les joints d'étanchéité et nuire à leur étanchéité. Un tuyau difficile à introduire risque d'être ovalisé ou avoir des bavures susceptibles de nuire à l'étanchéité du raccord.
4. Assurez-vous que le tuyau est enfoncé à fond dans le raccord et, faute de marquages appliqués lors des étapes précédentes, marquez-le au droit de l'extrémité du raccord afin de laisser un repère visible indiquant son insertion complète. *Se reporter aux figures 9 et 10.*



Figure 9 – Repérage du tuyau après insertion complète

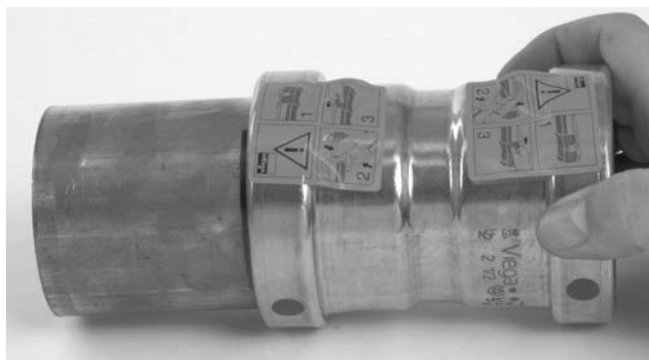


Figure 10 – Insertion du tuyau à la profondeur requise



Figure 11 – Ouverture et positionnement des mâchoires autour d'un raccord

Sertissage des raccords

⚠ AVERTISSEMENT



Portez systématiquement une protection oculaire afin de protéger vos yeux contre la projection de débris.

Éloignez vos doigts et vos mains de l'accessoire de l'outil durant le cycle de sertissage. Il y a risque d'écrasement ou d'amputation des doigts et des mains en cas de prise entre l'accessoire et l'ouvrage ou autres objets.

Afin de limiter les risques d'accident et de détérioration de l'appareil, respectez les consignes d'utilisation à la lettre.

⚠ AVERTISSEMENT N'utilisez les sertisseuses RIDGID et les accessoires de sertissage RIDGID (mâchoires, bagues, actionneurs, etc.) que lorsque ceux-ci ont été préconisés par le fabricant du système de raccordement envisagé. Assurez-vous de disposer de l'actionneur adapté au type de bague utilisée. L'utilisation d'une sertisseuse ou d'un accessoire inadapté risque de provoquer des fuites, endommager l'a sertisseuse et l'accessoire ou entraîner de graves blessures corporelles.

Assurez-vous de la préparation appropriée de l'appareil et de ses accessoires.

Utilisation des mâchoires de sertissage

1. Comprimez les bras de l'accessoire afin d'ouvrir ses mâchoires et les engager autour du raccord. Laissez les mâchoires se fermer autour du raccord en vous assurant de bien les aligner sur le pourtour du raccord (Figure 11).

2. Vérifiez l'enfoncement du tuyau dans le raccord comme précisé dans les instructions du système de raccordement.
3. Assurez-vous de tenir la sertisseuse et ses mâchoires à l'équerre du tuyau et du raccord (Figure 12), puis appuyez sur la gâchette de l'appareil. Éloignez vos doigts et vos mains des mâchoires afin d'éviter les risques d'écrasement entre les mâchoires et les éléments environnants.

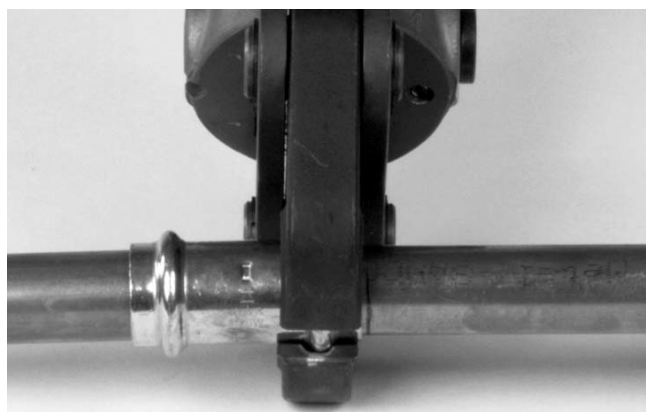


Figure 12 – Mâchoires à l'équerre du raccord et du tuyau

Selon le type d'appareil utilisé, le cycle de sertissage peut prendre de 4 à 8 secondes. Dès que le cycle de sertissage est entamé et que les galets entrent en contact avec les mâchoires, la sertisseuse se verrouille automatiquement sur le raccord pour achever son sertissage. Le fait de lâcher sa gâchette n'arrêtera pas l'appareil une fois le cycle de sertissage lancé. Cela permet d'assurer des sertissages fiables et uniformes. En cas de défaillance de l'appareil en cours d'opération, reportez-vous à son mode d'emploi.

4. Comprimez les arbres de l'accessoire pour ouvrir ses mâchoires et le retirer du raccord. Évitez de toucher les bavures éventuelles qui auraient pu se former autour du raccord durant le sertissage.

Utilisation des bagues et actionneurs

1. Ouvrez la bague de sertissage appropriée et engagez-la complètement autour du raccord. Laissez la bague se refermer sur le raccord en vérifiant que le contour de la surface de sertissage s'aligne sur celui du raccord. Une faute d'alignement à ce niveau nuirait à la qualité du raccord. *Se reporter aux figures 13A, B et C.*

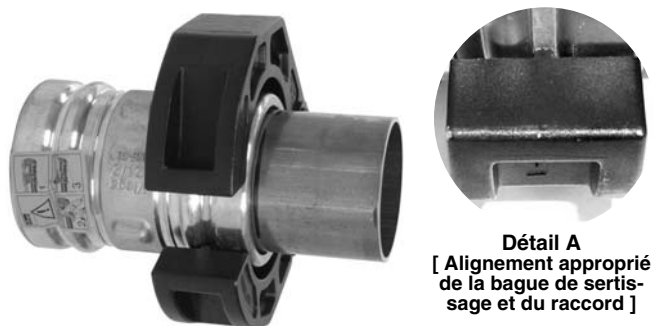


Figure 13A – Installation d'une bague ProPress XL sur le raccord



Figure 13B – Installation d'une bague ProPress XL-C sur le raccord



Figure 13C – Positionnement de bague ProPress sur raccord

2. Vérifiez que l'actionneur monté sur la sertisseuse correspond bien au type de bague utilisée (la bague est marquée du repère de l'actionneur R2, V1 ou V2 approprié). Il est impératif d'utiliser la combinaison d'actionneur et bague prévue afin d'éviter les risques d'accident, de défaillance de la bague ou de l'actionneur, et de mauvaise qualité de sertissage. Lors de l'utilisation d'une sertisseuse type 320-E, assurez-vous que l'actionneur a été préalablement calibré en fonction de la bague utilisée. Sinon, consultez la rubrique « Préparation ».

V2 approprié). Il est impératif d'utiliser la combinaison d'actionneur et bague prévue afin d'éviter les risques d'accident, de défaillance de la bague ou de l'actionneur, et de mauvaise qualité de sertissage. Lors de l'utilisation d'une sertisseuse type 320-E, assurez-vous que l'actionneur a été préalablement calibré en fonction de la bague utilisée. Sinon, consultez la rubrique « Préparation ».

3. Vérifiez que l'actionneur monté sur la sertisseuse correspond bien au type de bague utilisée (la bague est marquée du repère de l'actionneur R2, V1 ou V2 approprié). Il est impératif d'utiliser la combinaison d'actionneur et bague prévue afin d'éviter les risques d'accident, de défaillance de la bague ou de l'actionneur, et de mauvaise qualité de sertissage. Lors de l'utilisation d'une sertisseuse type 320-E, assurez-vous que l'actionneur a été préalablement calibré en fonction de la bague utilisée. Sinon, consultez la rubrique « Préparation ».



Figure 14A – Positionnement des embouts de mâchoire de l'actionneur dans les logements de la bague



Figure 14B – Positionnement des embouts d'actionneur V2 dans les logements de bague XL-C



Figure 14C – Déviation de l'actionneur V2 dans les logements de bague XL-C pour faciliter l'accès

Ne suspendez pas l'actionneur et l'outil par la bague, car ceux-ci risqueraient de se déloger et provoquer des blessures graves ou mortelles.

- Assurez-vous que la bague est bien d'équerre par rapport au tuyau et raccord, puis appuyez sur la gâchette de la sertisseuse. Éloignez vos doigts et vos mains de l'actionneur et de la bague afin d'éviter leur écrasement par l'accessoire ou entre l'accessoire et un objet à proximité.

Selon le type d'appareil utilisé, le cycle de sertissage peut prendre de 4 à 8 secondes. Dès que le cycle de sertissage est entamé et que les galets entrent en contact avec les mâchoires, la sertisseuse se verrouille automatiquement sur le raccord pour achever son sertissage. Le fait de lâcher sa gâchette n'arrêtera pas l'appareil une fois le cycle de sertissage lancé. Cela permet d'assurer des sertissages fiables et uniformes. En cas de défaillance de l'appareil en cours d'opération, reportez-vous à son mode d'emploi.

Contrairement aux bagues ProPress XL, les bagues ProPress et ProPress XL-C se ferment complètement durant le sertissage. Les embouts des bagues ProPress XL laissent un vide d'environ 8mm ($\frac{5}{16}$ po) en fin de sertissage.

- En fin de sertissage, comprimez les bras de l'actionneur pour ouvrir ses mâchoires, puis retirez-le de la bague.
- Retirez la bague du raccord en évitant de toucher aux bavures éventuelles qui auraient pu se former autour du raccord durant son sertissage.

Inspection des raccords sertis

- Examinez le raccord serté. Lorsque le raccord est équipé d'une bague de contrôle et/ou d'une étiquette de contrôle du fabricant, retirez-les (*se reporter aux*

Figures 7B et 7C). Ces bagues et étiquettes de contrôle sont fournies par le fabricant pour signaler qu'un raccord n'a pas encore été serté. Le retrait de la bague et étiquette de contrôle d'un raccord est une indication que le sertissage de ce raccord a été effectué.

Examinez les points suivants :

- Désalignement excessif des tuyaux. Il est à noter qu'un léger désalignement au niveau du raccord serté est considéré normal.
- Tuyaux insuffisamment insérés dans le raccord. Révérifiez que les repères rapportés sur les tuyaux arrivent bien à fleur de l'extrémité du raccord.
- Raccord déformé indiquant un mauvais alignement de mâchoire ou de bague sur le pourtour du raccord.
- Toute autre anomalie potentielle signalée par le fabricant des raccords.

Le cas échéant, il sera nécessaire de retirer et refaire le raccordement en préparant un nouveau raccord et une nouvelle longueur de tuyau.

- Lors de l'inspection des raccords ProPress, vérifiez la présence du témoin de sertissage ProPress laissé sur l'un des plats de la bague 6-pans (*Figure 15*). Ce repère exclusif confirme que le raccord a été serté par des mâchoires RIDGID spécialement prévues pour les raccords du système ProPress. Ce témoin est une marque déposée de la Ridge Tool Company. L'absence de témoins de sertissage risque d'annuler la garantie du fabricant des raccords. Les systèmes ProPress XL et ProPress XL-C n'utilisent pas de témoins de sertissage

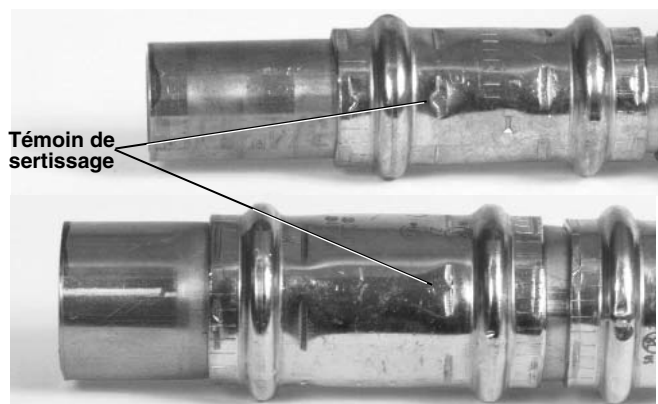


Figure 15 – Témoin de sertissage ProPress

- Testez le système selon les consignes du fabricant, les règles de l'art et la réglementation en vigueur. Il est possible que le fabricant du système fasse état d'essais spécifiques destinés à vérifier la fiabilité du système.

Consignes d'entretien

⚠ AVERTISSEMENT

Les accessoires de sertissage doivent être retirés de la sertisseuse avant toute intervention.

Portez systématiquement des lunettes de sécurité afin de protéger vos yeux contre la saleté et autres débris.

Les mâchoires, bagues de sertissage ou actionneurs qui ont été soudés, meulés, percés ou modifiés d'une manière quelconque risquent d'éclater en cours d'opération et provoquer des blessures graves ou mortelles. Remplacez les mâchoires, bagues de sertissage ou actionneurs endommagés par de nouveaux éléments.

1. Lors de chaque utilisation, examinez la surface d'attaque de l'outil de sertissage. Si celle-ci est endommagée, recyclez l'outil. En présence de rouille, de crasse ou de dépôts métalliques, nettoyez-la manuellement. Toute contamination de la surface d'attaque, notamment au droit des embouts de mâchoires à ciseaux ou des bagues de sertissage (voir Figure 16), facilitera la formation de bavures sur le raccord en cours de sertissage. De telles bavures peuvent endommager les surfaces d'attaque de l'outil.

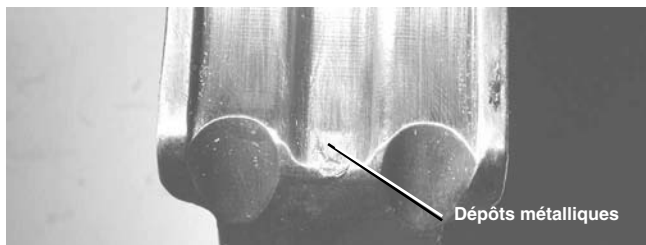


Figure 16 – Accumulation de dépôts métalliques sur la surface d'attaque de l'outil

Nettoyez la surface d'attaque de l'outil de sertissage à l'aide d'un tampon de polissage Scotch-Brite® (Scotch-Brite® est une marque déposée de la société 3M) ou similaire, d'une paille de fer fine ou d'une brosse métallique.

AVIS IMPORTANT Ne jamais utiliser de produits ou de moyens agressifs (toile d'émeri, papier verre, meule ou limes rotatives, etc.) pour le nettoyage des outils de sertissage. De telles méthodes pourraient déformer leur surface d'attaque et compromettre l'étanchéité des raccords sertis.

2. Lubrifiez les axes et surfaces de frottement de l'outil de sertissage au moins une fois par mois à l'aide d'une huile minérale légère, puis essuyez l'outil pour éliminer toutes traces d'huile résiduelle.
3. Examinez les ressorts de rappel des outils de sertissage lors de chaque utilisation. Les outils devraient s'ouvrir et se refermer sans trop d'effort. En cas

d'absence de ressort de rappel ou de grippage, l'outil en question devra être révisé avant toute utilisation ultérieure.

Accessoires

⚠ AVERTISSEMENT

Seuls les produits RIDGID ProPress suivants sont adaptés aux sertisseuses RIDGID. L'utilisation d'accessoires de sertissage prévus pour d'autres types d'appareils risque d'être dangereux et/ou produire des sertissages de mauvaise qualité.

Afin d'éviter les risques d'accident grave lors du sertissage des raccords ProPress, servez-vous exclusivement d'accessoires tels que ceux indiqués ci-dessous.

Système ProPress :

Mâchoires ProPress série Standard

Réf. catalogue	Désignation
76652	Mâchoires ProPress Ø 1/2 po
76657	Mâchoires ProPress Ø 3/4 po
76662	Mâchoires ProPress Ø 1 po
76667	Mâchoires ProPress Ø 1 1/4 po
76672	Mâchoires ProPress Ø 1 1/2 po
76677	Mâchoires ProPress Ø 2 po

Mâchoires ProPress série Compact

Réf. catalogue	Désignation
16958	Mâchoires ProPress Ø 1/2 po
16963	Mâchoires ProPress Ø 3/4 po
16978	Mâchoires ProPress Ø 1 po
31228	Mâchoires ProPress Ø 1 1/4 po

Bagues de sertissage ProPress

Réf. catalogue	Désignation
27998	Bague ProPress Ø 1/2 po
28003	Bague ProPress Ø 3/4 po
28008	Bague ProPress Ø 1 po
28013	Bague ProPress Ø 1 1/4 po
28018	Bague ProPress Ø 1 1/2 po
28023	Bague ProPress Ø 2 po
26163	Actionneur type C1
28033	Actionneur type V1
21878	Actionneur type V2
28043	Kit C1 Ø 1/2 à 1 1/4 po
27423	Kit V1 Ø 1/2 à 1 1/4 po
28048	Kit V1/C1 Ø 1/2 à 1 1/4 po
27428	Kit V2 Ø 1 1/2 à 2 po
28028	Mallette pour bagues Ø 1/2 à 1 1/4 po
28038	Mallette pour bagues Ø 1 1/2 à 2 po

Bagues de sertissage ProPress XL

Réf. catalogue	Désignation
93677	Bague ProPress XL Ø 2 1/2 po
93682	Bague ProPress XL Ø 3 po
93687	Bague ProPress XL Ø 4 po
93692	Actionneur R2
16803	Mallette de transport pour jeu ProPress XL
93667	Kit R2 Ø 2 1/2 à 4 po

Bagues de sertissage ProPress XL-C

Réf. catalogue	Désignation
20543	Bague ProPress XL-C Ø 2 1/2 po
20548	Bague ProPress XL-C Ø 3 po
20553	Bague ProPress XL-C Ø 4 po
21878	Actionneur V2
21103	Mallette de transport pour jeu ProPress XL-C
20483	Kit V2 Ø 2 1/2 à 4 po

Stockage de l'appareil

⚠ AVERTISSEMENT Ces appareils et accessoires doivent être stockés à l'intérieur ou convenablement protégés contre les intempéries. Fermez-les sous clé et hors de la portée des enfants et novices. Ce type d'appareil peut s'avérer dangereux entre les mains d'un utilisateur inexpérimenté.

Service après-vente

⚠ AVERTISSEMENT

Une intervention mal exécutée risque de rendre ce type d'accessoire dangereux.

La rubrique « Entretien de l'appareil » devrait couvrir la majorité des besoins d'entretien de cet appareil. Veuillez adresser tout problème qui n'est pas couvert sous cette rubrique à un réparateur RIDGID agréé.

Aucunes pièces de rechange ne sont disponibles pour ces accessoires. En cas de besoin de pièces, Tout accessoire ayant besoin de pièces de rechange devrait être mis au rebut et remplacé par un élément neuf.

Pour obtenir les coordonnées du centre de service RIDGID le plus proche ou pour toutes questions visant l'entretien et la réparation de l'appareil :

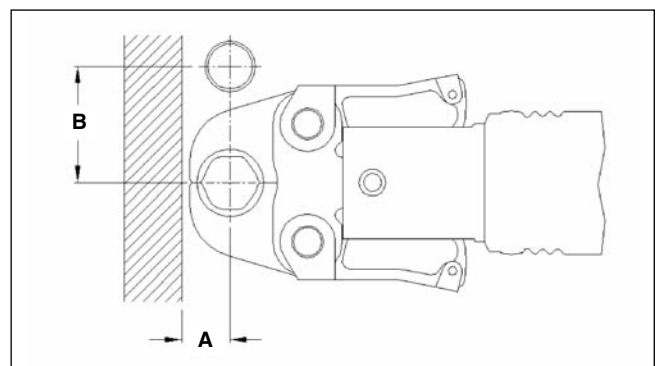
- Consultez votre distributeur RIDGID.
- Consultez les sites www.RIDGID.com ou www.RIDGID.eu pour localiser le représentant Ridge Tool le plus proche.
- Consultez les services techniques de Ridge Tool par mail adressé à rtctechservices@emerson.com, ou, à

partir des États-Unis et du Canada, en composant le (800) 519-3456.

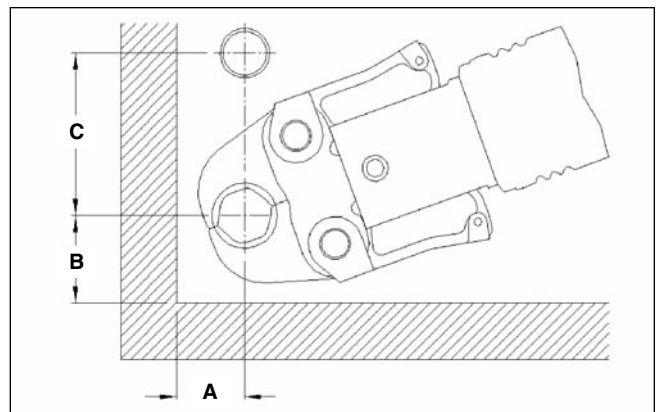
Encombrement des appareils

Les dessins suivants schématisent les débattements nécessaires aux mâchoires et raccords, ainsi que les méthodes de sertissage par bague applicables aux endroits exigus.

Débattement des mâchoires ProPress série Standard

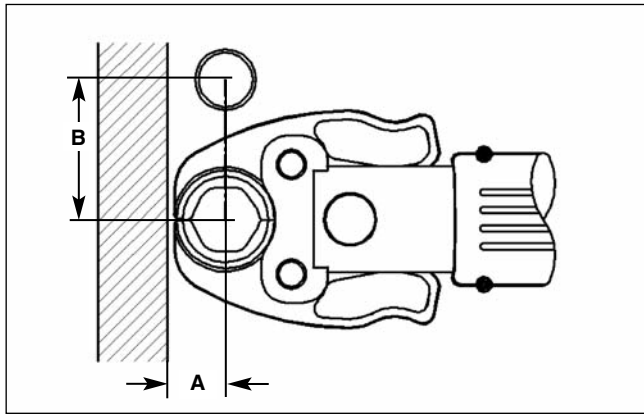


Ø tuyau	A (mini.)		B (mini.)	
	po	mm	po	mm
1/2"	3/4"	19	1 5/8"	41
3/4"	7/8"	22	2 1/8"	54
1"	1"	26	2 1/2"	64
1 1/4"	1 1/8"	29	2 7/8"	73
1 1/2"	1 3/4"	45	3 1/2"	89
2"	2"	51	4 3/8"	111

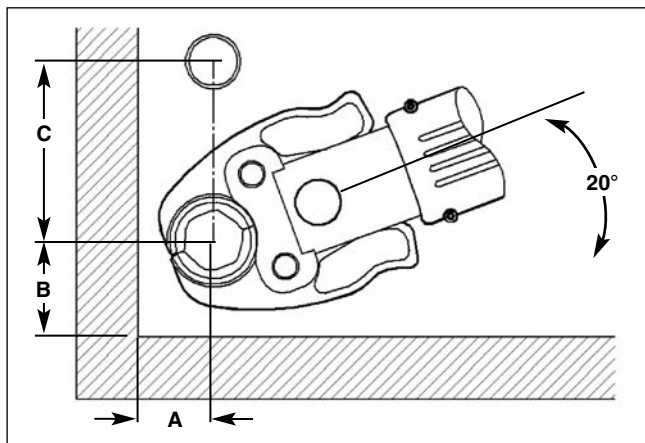


Ø tuyau	A (mini.)		B (mini.)		C (mini.)	
	po	mm	po	mm	po	mm
1/2"	7/8"	23	1 3/8"	35	2 1/2"	64
3/4"	1"	26	1 1/2"	38	2 1/2"	64
1"	1 1/8"	29	1 3/4"	45	3"	76
1 1/4"	1 1/4"	32	2 1/4"	57	3 1/8"	80
1 1/2"	1 7/8"	48	2 1/2"	64	3 3/4"	95
2"	2 1/8"	54	3 1/8"	80	5"	127

Débattement des mâchoires ProPress série Compact

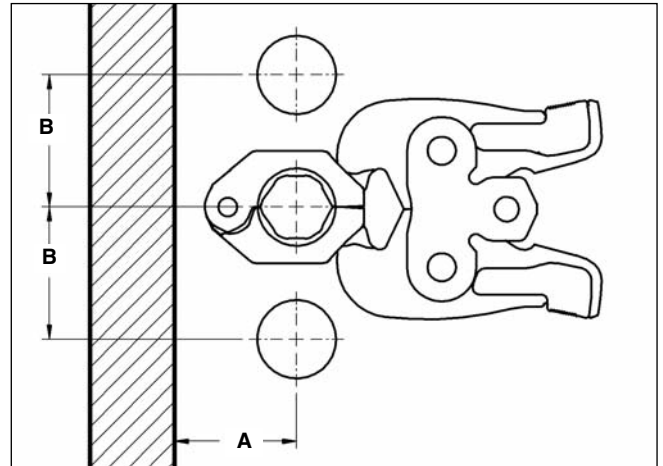


Ø tuyau	A (mini.)		B (mini.)	
	po	mm	po	mm
1/2"	3/4"	19	2"	51
3/4"	7/8"	22	2 3/8"	60
1"	1"	26	2 5/8"	67
1 1/4"	1 1/8"	28	3 1/8"	79

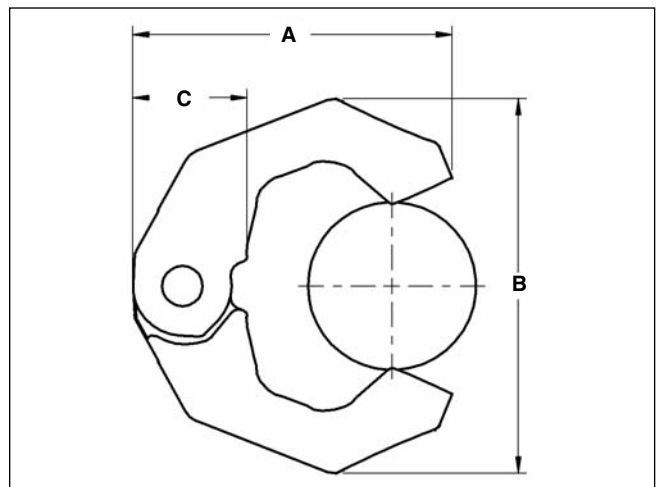


Ø tuyau	A (mini.)		B (mini.)		C (mini.)	
	po	mm	po	mm	po	mm
1/2"	7/8"	23	1 3/8"	35	2 1/2"	64
3/4"	1"	26	1 1/2"	38	2 3/4"	70
1"	1 1/8"	29	1 5/8"	41	3"	76
1 1/4"	1 5/8"	39	2 1/8"	53	3 3/8"	85

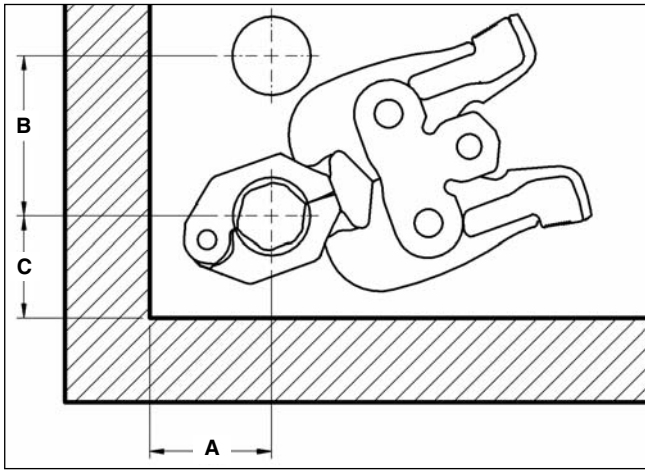
Débattement des bagues de sertissage ProPress



Ø tuyau	A (mini.)		B (mini.)	
	po	mm	po	mm
1/2"	1 5/8"	41	2 13/16"	71
3/4"	1 3/4"	45	2 3/16"	55
1"	2"	51	1 5/8"	42
1 1/4"	2 3/16"	55	2 15/16"	75
1 1/2"	2 9/8"	60	3 5/16"	85
2"	2 9/16"	65	4 1/8"	105



Ø tuyau	A (mini.)		B (mini.)		C (mini.)	
	po	mm	po	mm	po	mm
1/2"	2 1/4"	57	2 1/8"	54	1 1/16"	27
3/4"	2 11/16"	68	2 7/8"	73	1 1/8"	28
1"	2 15/16"	75	3 5/16"	84	1 3/16"	31
1 1/4"	3 5/16"	84	3 7/8"	99	1 3/16"	30
1 1/2"	3 11/16"	94	4 5/16"	110	1 3/16"	31
2"	4 7/16"	113	5 7/16"	139	1 3/16"	30

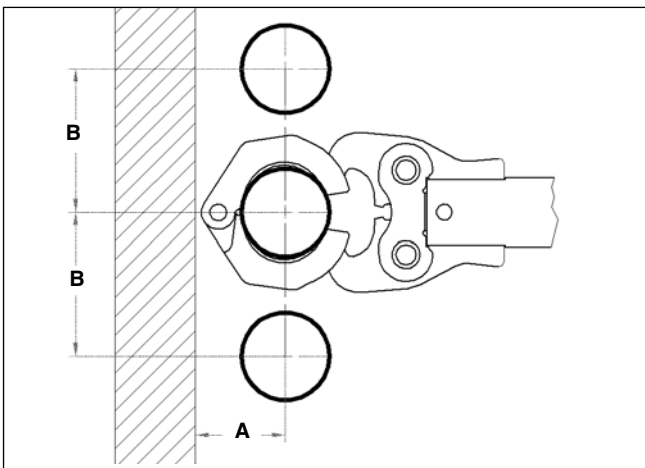


V1						
Ø tuyau	A (mini.)		B (mini.)		C (mini.)	
	po	mm	po	mm	po	mm
1/2"	1 5/8"	41	3 9/16"	90	2 5/16"	59
3/4"	1 3/4"	45	3 5/8"	92	2 1/8"	55
1"	2"	51	3 13/16"	97	2 3/16"	56
1 1/4"	2 3/16"	55	3 3/4"	92	2 1/8"	55

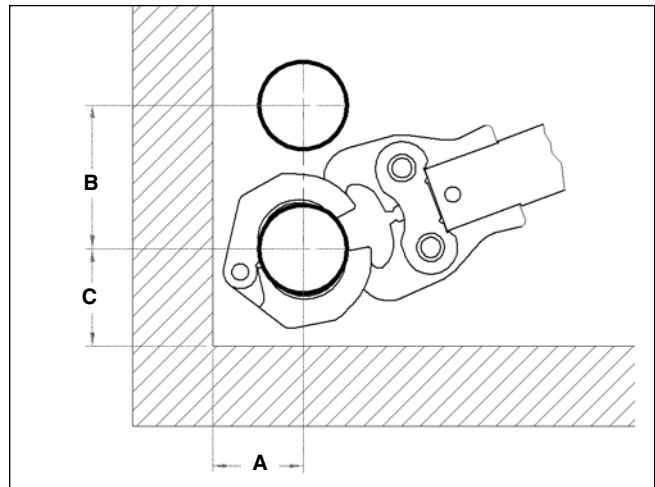
V2						
Ø tuyau	A (mini.)		B (mini.)		C (mini.)	
	po	mm	po	mm	po	mm
1 1/2"	2 3/8"	60	5"	127	2 3/16"	56
2"	2 9/16"	65	4 3/4"	121	2 9/16"	65

C1						
Ø tuyau	A (mini.)		B (mini.)		C (mini.)	
	po	mm	po	mm	po	mm
1/2"	1 5/8"	41	3 1/4"	83	2"	51
3/4"	1 3/4"	45	3 1/4"	83	1 7/8"	48
1"	2"	51	3 1/4"	83	1 7/8"	48
1 1/4"	2 3/16"	55	3 3/8"	86	1 7/8"	46

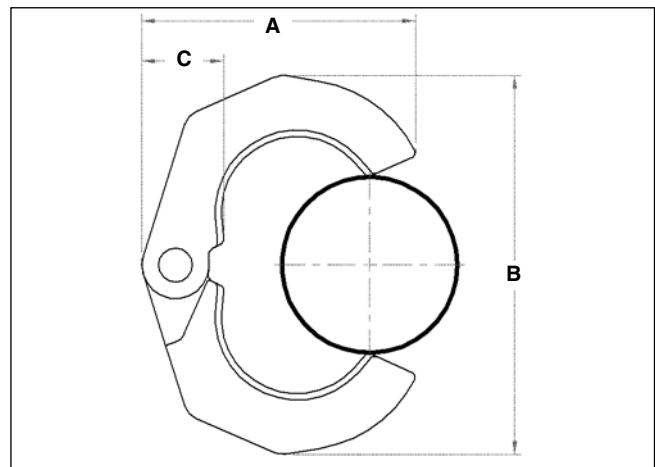
Débattement des bagues de sertissage ProPress XL



Ø tuyau	A (mini.)		B (mini.)	
	po	mm	po	mm
2 1/2"	3 3/8"	86	5 3/8"	137
3"	3 5/8"	92	6"	152
4"	4 1/4"	108	7 3/8"	188

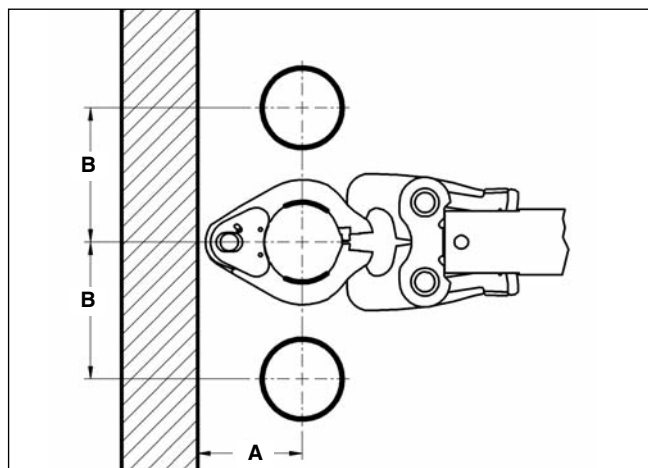


Ø tuyau	A (mini.)		B (mini.)		C (mini.)	
	po	mm	po	mm	po	mm
2 1/2"	3 3/8"	86	5 3/8"	137	3 3/4"	95
3"	3 5/8"	92	6"	152	4 1/8"	105
4"	4 1/4"	108	7 3/8"	188	5"	127

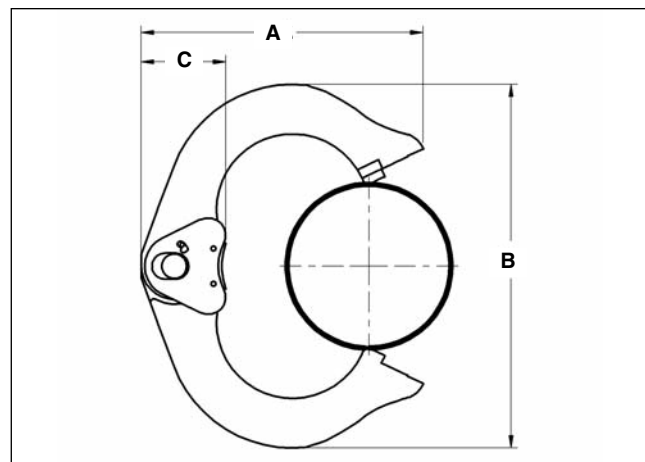


Ø tuyau	A (mini.)		B (mini.)		C (mini.)	
	po	mm	po	mm	po	mm
2 1/2"	5 3/16"	141	7 1/8"	181	1 5/8"	41
3"	6 1/8"	156	7 15/16"	202	1 11/16"	43
4"	7 5/16"	186	9 5/8"	244	1 3/4"	44

Débattement des bagues de sertissage ProPress XL-C

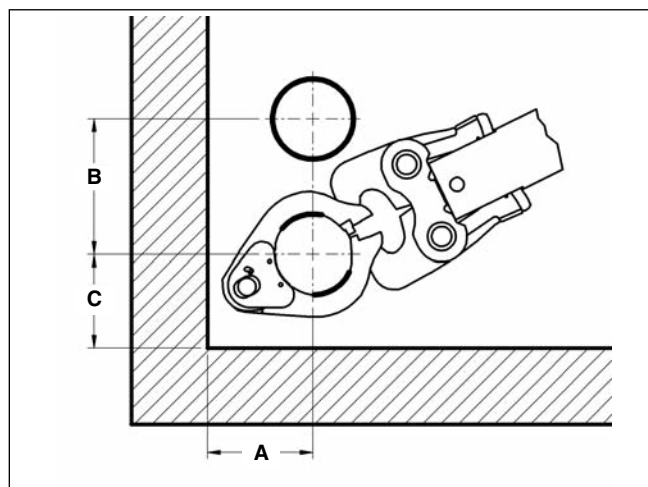


Ø tuyau	A (mini.)		B (mini.)	
	po	mm	po	mm
2 1/2"	4 1/8"	105	6"	152
3"	4 3/8"	111	7"	178
4"	5"	127	8"	203

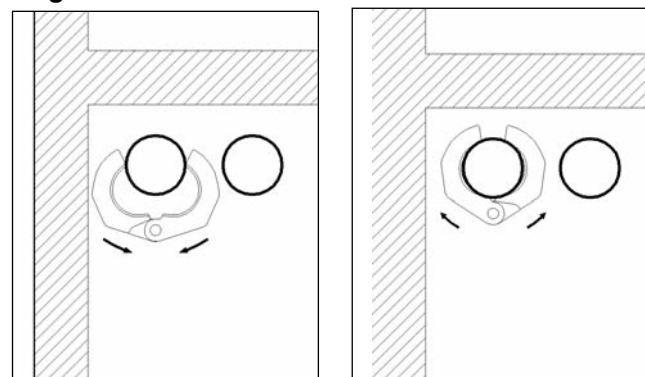


Ø tuyau	A (mini.)		B (mini.)		C (mini.)	
	po	mm	po	mm	po	mm
2 1/2"	6 3/16"	157	6 15/16"	176	7 1/16"	62
3"	7 1/16"	189	8 13/16"	224	2 7/16"	62
4"	8 1/16"	205	10 7/16"	265	2 7/16"	62

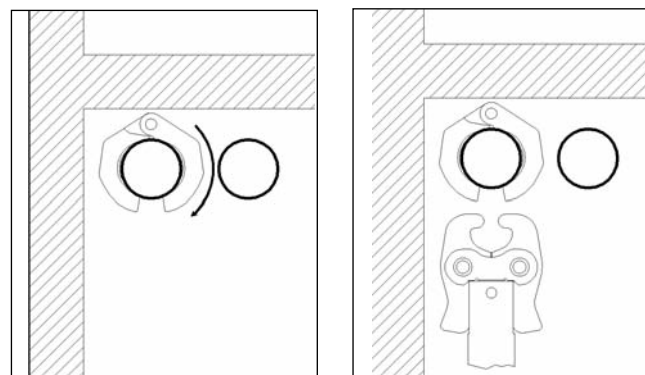
Méthode de sertissage à la bague dans les endroits exigus



Ø tuyau	A (mini.)		B (mini.)		C (mini.)	
	po	mm	po	mm	po	mm
2 1/2"	4 1/8"	105	6"	152	4 1/2"	114
3"	4 5/8"	111	7"	178	4 7/8"	124
4"	5"	127	8"	203	5 3/4"	146



1. Enfalez de face la bague de sertissage autour du tuyau...
2. ...jusqu'à ce qu'elle repose dans la rainure du raccord.



3. Gardez la bague fermée et tournez-la autour du tuyau jusqu'à ce que son ouverture se trouve en face de vous.
4. Engagez l'actionneur sur la bague et commencez le cycle de sertissage.

Dépannage

SYMPTOME	CAUSE PROBABLE	SOLUTION
Sertissage des raccords incomplet.	Utilisation d'une mâchoire ou d'une bague de sertissage inadaptée au diamètre ou à la composition du tuyau. Mâchoire ou bague en faux équerre par rapport au tuyau. Mâchoires ou bague usées ou défailantes.	Installer la mâchoire appropriée. Refaire le raccordement avec un nouveau tuyau et raccord en vérifiant l'équerrage de la mâchoire ou bague par rapport au tuyau. En cas de fissuration, remplacer la mâchoire et refaire le raccordement avec un nouveau tuyau et raccord.
Bourrelet excessivement large ou pointu au droit de la jonction des embouts de mâchoire ou de bague.	Accumulation de résidus de raccord au droit des redans d'embout des mâchoires ou de la bague. Mâchoires ou bagues de sertissage excessivement usées ou endommagées.	Nettoyer les redans d'embout des mâchoires ou de la bague de sertissage à l'aide d'un tampon à polir du type Scotch-Brite® selon les consignes de la rubrique Entretien. Éliminer et remplacer les mâchoires ou la bague de sertissage par de nouvelles mâchoires ou bague de sertissage RIDGID.
Mâchoires ou bague excessivement collée au raccord en fin de sertissage.	Accumulation de résidus de raccord au droit des redans d'embout des mâchoires ou de la bague.	Nettoyer les redans d'embout des mâchoires ou de la bague de sertissage à l'aide d'un tampon à polir du type Scotch-Brite® selon les consignes de la rubrique Entretien.

Selladoras para sellar:

Sistemas de acoplamientos ProPress®

Sistemas de acoplamientos ProPress® XL

Sistemas de acoplamientos ProPress® XL-C



ADVERTENCIA

Antes de utilizar este aparato, lea detenidamente su Manual del Operario. Pueden ocurrir descargas eléctricas, incendios y/o graves lesiones si no se comprenden y siguen las instrucciones de este manual.

RIDGID®

Índice

Símbolos de seguridad	41
Reglas de seguridad general	
Seguridad en la zona de trabajo	41
Seguridad eléctrica	41
Seguridad personal	42
Uso y cuidado del aparato	42
Servicio	42
Información de seguridad específica	
Seguridad de la Selladora	43
Descripción y especificaciones	
Descripción	43
Especificaciones	43
Revisión de la Selladora y sus accesorios	46
Preparación del aparato y de la zona de trabajo	
Montaje del accesorio en la Selladora	47
Calibración de la Selladora al montársele un accesorio específico (sólo la 320-E)	47
Calibración de la Selladora 320-E habiéndosele montado un juego de mordazas	47
Calibración de la Selladora 320-E habiéndosele montado un accionador R-2 (para utilizarla con aros ProPress XL).....	47
Calibración de la Selladora 320-E habiéndosele montado un accionador V1 ó V2 (para utilizarla con aros ProPress o aros ProPress XL-C).....	47
Preparación de la conexión	
Preparación del tubo	47
Introducción del tubo en el acoplamiento	48
Instrucciones de funcionamiento	
Sellado de una conexión empleando un aro y un accionador	50
Inspección de la conexión sellada	52
Instrucciones de mantenimiento	53
Accesorios	
Sistema de Sellado ProPress para tubería de cobre	53
Almacenamiento	54
Servicio y reparaciones	54
Selladuras en espacios restringidos	55
Detección de averías	60
Garantía vitalicia	carátula posterior

*Traducción del manual original

Simbología de seguridad

En este manual del operario y en el aparato mismo encontrará símbolos y palabras de advertencia que comunican información de seguridad. En esta sección se describe el significado de estos símbolos.



Este es el símbolo de una alerta de seguridad. Sirve para prevenir al operario de las lesiones corporales que podría sufrir. Obedezca todas las instrucciones que acompañan a este símbolo de alerta para evitar lesiones o muertes.



Este símbolo de PELIGRO advierte de una situación de riesgo o peligro que, si no se evita, ocasionará la muerte o graves lesiones.



Este símbolo de ADVERTENCIA advierte de una situación de riesgo o peligro que, si no se evita, podría ocasionar la muerte o lesiones graves.



Este símbolo de CUIDADO previene de una situación de riesgo o peligro que, si no se evita, podría ocasionar lesiones leves o menores.



Un AVISO advierte de la existencia de información relacionada con la protección de un bien o propiedad.



Este símbolo significa que, antes de usar un aparato o equipo, es necesario leer detenidamente su manual del operario. El manual de un aparato contiene importante información acerca del funcionamiento apropiado y seguro del equipo.



Este símbolo señala que, al hacer funcionar este aparato, el operario debe ponerse gafas o anteojos de seguridad con viseras laterales.



Este símbolo señala que el aparato en uso puede aplastar manos, dedos u otras partes del cuerpo.



Este símbolo advierte del peligro de descargas eléctricas.

Reglas de seguridad general*

ADVERTENCIA

Lea todas las advertencias e instrucciones. Pueden ocurrir golpes eléctricos, incendios y/o lesiones corporales graves si no se respetan todas las instrucciones y advertencias detalladas a continuación.

¡GUARDE ESTAS INSTRUCCIONES Y ADVERTENCIAS PARA POSTERIOR CONSULTA!

El término "aparato motorizado", empleado a lo largo de las advertencias de este manual, se refiere a la herramienta de trabajo que funciona ya sea enchufada a un tomacorriente o con pila (en forma inalámbrica).

Seguridad en la zona de trabajo

- **Mantenga su área de trabajo limpia y bien alumbrada.** Los bancos de trabajo desordenados y las zonas oscuras son el origen de numerosos accidentes.
- **No haga funcionar aparatos motorizados en presencia de combustibles tales como líquidos, gases o polvos inflamable.** Los aparatos eléctricos generan chispas que pueden inflamar el polvo o las emanaciones combustibles.
- **Al hacer funcionar una máquina, mantenga aparta-**

dos a los curiosos, niños y visitantes. Las distracciones pueden hacerle perder el control del aparato.

Seguridad eléctrica

- **El enchufe del aparato debe corresponder al tomacorriente. Jamás modifique el enchufe del aparato. Cuando emplee un aparato a motor provisto de conexión a tierra, no utilice un enchufe adaptador.** Así se evita el riesgo de que ocurran descargas eléctricas.
- **Evite el contacto de su cuerpo con artefactos conectados a tierra tales como cañerías, radiadores, estufas o cocinas, y refrigeradores.** Aumenta el riesgo de que se produzca una descarga eléctrica cuando su cuerpo ofrece conducción a tierra.
- **No exponga los aparatos motorizados a la lluvia o a condiciones mojadas.** Cuando agua penetra en un aparato a motor, aumenta el riesgo de que se produzcan descargas eléctricas.
- **No maltrate el cordón eléctrico del aparato. Nunca transporte el aparato tomándolo de su cordón eléctrico ni jale del cordón para desenchufarlo del tomacorriente. Mantenga el cordón lejos del calor, aceite, bordes cortantes o piezas móviles.** Un cordón enredado o en mal estado aumenta el riesgo de que se produzcan descargas eléctricas.

* Como es obligatorio, se han copiado en la sección Reglas de Seguridad General las palabras textuales de la norma pertinente UL/CSA 60745. Esta sección contiene las prácticas de seguridad general aplicables al uso de diversos tipos de herramientas motorizadas. No todas las precauciones se aplican a cada herramienta, y algunas no le competen a este aparato.

- **Al hacer funcionar un aparato motorizado a la intemperie, emplee un cordón de extensión fabricado para uso exterior.** Los alargadores diseñados para su empleo al aire libre reducen el riesgo de que se produzcan choques eléctricos.
- **Si resulta inevitable el empleo de una herramienta a motor en un sitio húmedo, enchúfela en un tomacorriente GFCI (dotado de un Interruptor del Circuito de Pérdida a Tierra).** El interruptor GFCI reduce el riesgo de descargas eléctricas.

Seguridad personal

- **Manténgase alerta, preste atención a lo que está haciendo y use sentido común cuando trabaje con un aparato motorizado. No lo use si está cansado o se encuentra bajo la influencia de drogas, alcohol o medicamentos.** Sólo un breve descuido mientras hace funcionar un aparato a motor puede resultar en lesiones graves.
- **Use el equipo de protección personal que corresponda. Siempre use protección para sus ojos.** Cuando las condiciones lo requieran, debe usar mascarilla para el polvo, calzado de seguridad antideslizante, casco duro o protección para los oídos. Evitarán que usted se lesione.
- **Evite echar a andar un aparato sin querer. Asegure que el interruptor de la herramienta se encuentra en la posición OFF (apagado) antes de enchufar el aparato a la corriente eléctrica o de conectarlo a su pila, de tomarlo o acarrearlo.** Se producen accidentes cuando se transportan aparatos con el dedo puesto sobre su interruptor, o se los enchufa o conecta a la fuente de corriente con el interruptor en la posición de encendido (ON).
- **Extraiga cualquier llave que esté acoplada a la herramienta antes de encenderla.** Una llave acoplada a una pieza o parte móvil del aparato puede herirlo.
- **No trate de extender su cuerpo para alcanzar algo. Mantenga sus pies firmes en tierra y un buen equilibrio en todo momento.** Así se ejerce mejor control sobre el aparato en situaciones inesperadas.
- **Vístase adecuadamente. No lleve ropa suelta ni joyas. Contenga el cabello largo. Mantenga cabello, ropa y guantes apartados de las piezas en movimiento.** La ropa suelta, las joyas o el pelo largo pueden engancharse en las piezas móviles.
- **Si se proveen dispositivos para la extracción y recolección del polvo cuando se usa el aparato, conéctelos y empléelos correctamente.** El uso de

mecanismos que limpian el aire en el ambiente de trabajo reduce el riesgo de problemas respiratorios.

Uso y cuidado del aparato

- **No fuerce el aparato. Use el aparato correcto para el trabajo que realizará.** El aparato adecuado hará el trabajo mejor y de manera más segura, a la velocidad para la cual fue diseñado.
- **Si el interruptor del aparato no lo enciende o no lo apaga, no use el aparato.** Cualquier herramienta motorizada que no pueda ser controlada mediante su interruptor es peligrosa y debe ser reparada.
- **Antes de efectuar trabajos de regulación, de cambiar accesorios o de almacenar el aparato, desenchúfelo y/o extráigale la pila.** Este tipo de seguridad preventiva reduce el riesgo de poner el aparato en marcha involuntariamente.
- **Almacene los aparatos que no estén en uso fuera del alcance de niños y no permita que los hagan funcionar personas sin capacitación para usarlos o que no hayan leído estas instrucciones.** Las herramientas motorizadas son peligrosas en manos inexpertas.
- **Hágale buen mantenimiento a sus herramientas motorizadas. Revise que las piezas móviles de este aparato no estén desalineadas o agarradas. Cerciórese de que no tiene piezas quebradas y que no existe alguna condición que pueda afectar su buen funcionamiento. En caso de estar dañado, antes de usarlo, hágalo componer.** Numerosos accidentes son causados por aparatos que no han recibido un mantenimiento adecuado.
- **Mantenga las hojas y filos de corte afilados y limpios.** Las herramientas para cortar provistas de filos afilados son menos propensas a trabarse y se manejan con mayor facilidad.
- **Utilice el aparato motorizado y sus accesorios en conformidad con estas instrucciones, teniendo en cuenta las condiciones imperantes y la tarea que deberá realizar.** Cuando se emplea una herramienta para efectuar trabajos que no le son propios, se crean situaciones peligrosas.

Servicio

- **El servicio del aparato debe encomendarse únicamente a técnicos calificados. Deben emplear repuestos legítimos solamente.** Así se garantiza la continua seguridad del aparato.

Información de seguridad específica

⚠ ADVERTENCIA

Esta sección entrega información de seguridad específica para esta máquina o aparato.

Antes de usar los accesorios de sellado, lea estas instrucciones detenidamente para prevenir lesiones de gravedad.

¡GUARDE ESTAS INSTRUCCIONES!

El maletín de la Selladora cuenta con un compartimiento especial para guardar este manual al alcance de la mano.

Si tiene alguna pregunta acerca de este producto de Ridge Tool:

- Contacte al distribuidor de RIDGID® en su localidad.
- Por internet visite el sitio www.RIDGID.com ó www.RIDGID.eu para averiguar dónde se encuentran los centros autorizados de Ridge Tool más cercanos.
- Llame al Departamento de Servicio Técnico de Ridge Tool desde EE.UU. o Canadá al (800) 519-3456 o escriba a rttechservices@emerson.com.

Seguridad de la Selladora

- **Sólo use la Selladora RIDGID con las mordazas y los aros selladores ProPress de RIDGID.** Si se someten estas herramientas o accesorios a otros usos o aplicaciones pueden dañar la Selladora, las mordazas y/o causar lesiones.
- **Mantenga sus dedos y manos apartados de las mordazas, aro sellador y accionador durante el ciclo de una selladura.** Sus dedos o manos pueden ser triturados, fracturados o amputados si quedan atrapados entre las mordazas, aros selladores o accionador o entre éstos y cualquier otro objeto.
- **Nunca intente reparar un accionador o un aro sellador averiado.** Una mordaza, accionador o aro sellador que de cualquiera forma haya sido soldado, afilado, perforado o modificado puede hacerse trizas durante una selladura y causar lesiones graves. Deseche todo el juego de mordazas dañado. Reemplácelo con uno nuevo. Nunca reemplace individualmente algún componente de un juego de mordazas, salvo el resorte de retorno. Consulte al Departamento Técnico de Ridge Tool Company para obtener repuestos.
- **Antes de usar cualquiera de las herramientas de sellado, lea y comprenda este manual, el de la Selladora, el provisto por el fabricante del acoplamiento y el de cualquier otro equipo que se emplee para efectuar las selladuras en una tubería.** Se corre el riesgo de causar daños materiales y lesiones graves si no se respetan estas instrucciones.

AVISO La selección de los materiales y del método de unión o sellado apropiados es responsabilidad del diseñador y/o instalador del sistema. Antes de comenzar una instalación se requiere efectuar una exhaustiva evaluación de las condiciones ambientales imperantes, incluyendo las químicas y las temperaturas de funcionamiento.

Descripción y especificaciones

Descripción

Los accesorios de sellado RIDGID para sistemas ProPress®, cuando se utilizan montados a la Selladora RIDGID apropiada, engarzan mecánicamente un acoplamiento o fitting sobre un tubo, creando entre ellos un sellado hermético y definitivo. Al oprimirse el interruptor de la Selladora, un motor propulsa una bomba hidráulica, la que inyecta líquido hacia el interior del cilindro del aparato. Esta acción lleva los rodillos del aparato hacia delante poniéndolos en contacto con el accesorio en uso y aplica una fuerza selladora de miles de libras sobre el acoplamiento expresamente diseñado.

¡NOTA! ProPress® es marca registrada de Viega GmbH & Co.

Desde que se oprime el interruptor de la Selladora, el ciclo de la selladura tarda entre 4 y 8 segundos en completarse. Una vez iniciada la deformación del acoplamiento, el ciclo prosigue automáticamente hasta finalizar.

Existen accesorios de sellado RIDGID para los siguientes sistemas ProPress:

- ProPress
- ProPress XL
- ProPress XL-C

ProPress

RIDGID fabrica juegos de mordazas, aros selladores y accionadores para sellar acoplamientos ProPress. Ellos son:

- Juegos de mordazas ProPress® Serie Standard para acoplamientos ProPress de 1/2 hasta 2 pulgadas
- Juegos de mordazas ProPress® Serie Compact para acoplamientos ProPress de 1/2 hasta 1 pulgada
- Aros selladores ProPress para acoplamientos ProPress de 1/2 a 2 pulgadas:
 - los aros selladores ProPress de 1 1/2 y 2 pulgadas se utilizan con las Selladoras Serie Standard y con el accionador V2
 - los aros selladores ProPress de 1/2 a 1 1/4 pulgada pueden usarse con las Selladoras Serie Standard y el accionador V1, o bien con las Selladoras Serie Compact y el accionador C1

Juegos de mordazas ProPress serie Standard

Las mordazas ProPress serie Standard han sido diseñadas para sellar en forma mecánica acoplamientos ProPress sobre tubos de 1/2, 3/4, 1, 1 1/4, 1 1/2 y 2 pulgadas de diámetro. Se requiere un juego de mordazas específico para cada diámetro de tubería. Las mordazas serie Standard funcionan con las Selladoras RIDGID de serie Standard tales como las modelo CT-400, 320-E ó RP 330. Los juegos de mordazas serie Standard no pueden emplearse con Selladoras RIDGID de serie Compact como la 100-B ó RP 210. Tanto las mordazas como la Selladora deben colocarse en forma perpendicular sobre el acoplamiento o tubo que se va a sellar.

No. en el catálogo	Ø en pulgs.	Peso
76652	1/2	3,75 lbs. (1,70 kg)
76657	3/4	3,90 lbs. (1,76 kg)
76662	1	4,15 lbs. (1,88 kg)
76667	1 1/4	4,30 lbs. (1,95 kg)
76672	1 1/2	6,45 lbs. (2,93 kg)
76677	2	9,40 lbs. (4,26 kg)



Figura 1 – Juego de mordazas ProPress serie Standard

Juegos de mordazas ProPress serie Compact

Las mordazas ProPress serie Compact han sido diseñadas para sellar en forma mecánica acoplamientos ProPress sobre tubos de 1/2, 3/4, 1 y 1 1/4 pulgada de diámetro. Se requiere un juego de mordazas específico para cada diámetro de tubería. Las mordazas serie Compact funcionan con las Selladoras RIDGID de serie Compact como la 100-B y RP 210. Los juegos de mordazas serie Compact no pueden emplearse con Selladoras RIDGID de serie Standard tales como las modelo C-T400, 320-E ó RP 330. Tanto las mordazas como las Selladoras deben colocarse en forma perpendicular sobre el acoplamiento y tubo que se va a sellar.

No. en el catálogo	Ø en pulgs.	Peso
16958	1/2	2,5 lbs. (1,14 kg)
16963	3/4	2,22 lbs. (1,01 kg)
16978	1	2,28 lbs. (1,03 kg)
31228	1 1/4	2,56 lbs. (1,15 kg)



Figura 2 – Juego de mordazas ProPress serie Compact

Aros selladores ProPress

Los aros selladores ProPress han sido diseñados para sellar en forma mecánica acoplamientos ProPress sobre tubería de 1/2, 3/4, 1, 1 1/4, 1 1/2 y 2 pulgadas de Ø. Se requiere un aro sellador específico para cada diámetro de tubería. Los aros de 1/2 hasta 1 1/4 pulgada pueden accionarse ya sea con un accionador V1 y una Selladora serie Standard como las modelo CT400, 320E ó RP 330, o con un accionador C1 y una Selladora serie Compact como las modelo 100-B ó RP 210. Los aros de 1? y 2 pulgadas sólo pueden ser accionados por un accionador V2 y una Selladora de la serie Standard. Resulta imposible accionar estos aros ProPress de 1/2 y 2 pulgadas Ø con una Selladora serie Compact.

Los aros ProPress deben montarse perpendicularmente al acoplamiento y al tubo que se van a sellar. Sin embargo, las cavidades en el aro -donde se enganchan las puntas del accionador- proporcionan al accionador y a la Selladora la capacidad de girar hasta en 90 grados en ambas direcciones. Esta característica permite que aros y accionadores se usen en aplicaciones en las cuales mordazas y Selladora no caben o no entran. Cada aro ProPress viene rotulado con el nombre del accionador que le corresponde.

No. en el catálogo	Ø en pulgs.	Peso
27998	Aro sellador ProPress de 1/2 pulg.	0,50 lbs. (0,23 kg)
28003	Aro sellador ProPress de 3/4 pulg.	0,70 lbs. (0,32 kg)
28008	Aro sellador ProPress de 1 pulg.	0,90 lbs. (0,41 kg)
28013	Aro sellador ProPress de 1 1/4 pulg.	1,00 lbs. (0,45 kg)
28018	Aro sellador ProPress de 1 1/2 pulg.	1,35 lbs. (0,61 kg)
28023	Aro sellador ProPress de 2 pulg.	2,00 lbs. (0,91 kg)
26163	Accionador C1	2,10 lbs (0,95 kg)
28033	Accionador V1	4,80 lbs (2,18 kg)
21878	Accionador V2	4,7 lbs (2,13 kg)



Figura 3 – Aro sellador y accionador

Aros selladores ProPress XL

RIDGID fabrica aros ProPress XL para emplearse en conjunción con acoplamientos ProPress XL. Los aros ProPress XL sellan en forma mecánica acoplamientos ProPress XL a tubos de 2 1/2, 3 y 4 pulgadas. Se requiere un aro sellador específico para cada diámetro de tubería. Los aros ProPress XL se accionan con un accionador R2 y una Selladora serie Standard como las modelo CT-400, 320E ó RP 330. Los aros ProPress XL no pueden accionarse con Selladoras de la serie Compact.

Los aros ProPress XL, el accionador y la Selladora deben colocarse perpendicularmente al acoplamiento y al tubo que se van a sellar. En este caso, las cavidades presentes en el aro -donde se enganchan las puntas del accionador- no permiten el giro del accionador y la Selladora.

No. en el catálogo	Ø	Peso
93677	Aro sellador ProPress XL de 2 1/2 pulgs.	4,5 lbs. (2,04 kg)
93682	Aro sellador ProPress XL de 3 pulgs.	5,2 lbs. (2,36 kg)
93687	Aro sellador ProPress XL de 4 pulgs.	6,5 lbs (2,95 kg)
93692	Accionador V2	8,4 lbs (3,81 kg)
16803	Maletín	9,0 lbs (4,08 kg)

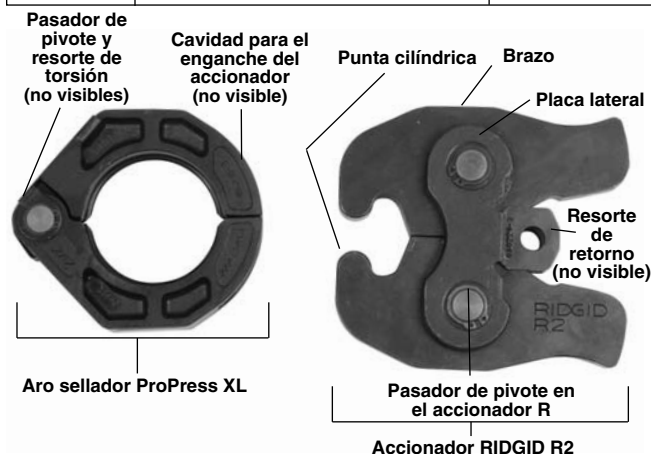


Figura 4 – Aro sellador ProPress XL y Accionador RIDGID R2

Aros selladores ProPress XL-C

RIDGID fabrica aros ProPress XL-C para emplearse en conjunción con acoplamientos ProPress XL-C. Los aros ProPress XL-C sellan en forma mecánica acoplamientos ProPress XL-C a tubos de 2 1/2, 3 y 4 pulgadas. Se requiere un aro sellador específico para cada diámetro de tubería. Los aros ProPress XL-C se accionan con un accionador V2 y una Selladora serie Standard como las modelo CT-400, 320E ó RP 330. Los aros ProPress XL-C no pueden accionarse con Selladoras de la serie Compact.

Los aros ProPress XL-C deben colocarse perpendicularmente al acoplamiento y al tubo que se van a sellar. Sin embargo, las cavidades en el aro -donde se enganchan las puntas del accionador- proporcionan al accionador y la Selladora la capacidad de girar hasta en 90 grados en ambas direcciones.

No. en el catálogo	Ø	Peso
20543	Aro sellador XL-C de 2 1/2 pulg	5,46 lbs (2,48 kg)
20548	Aro sellador XL-C de 3 pulg.	9,63 lbs (4,37 kg)
20553	Aro sellador XL-C de 4 pulg	11,08 lbs (5,03 kg)
21878	Accionador V2	6,71 lbs (3,04 kg)
21103	Maletín	6,15 lbs (2,79 kg)



Figura 5 – Aro sellador ProPress XL-C y Accionador RIDGID V2

Los accesorios de sellado RIDGID se encuentran protegidos por varias patentes estadounidenses e internacionales y por patentes en trámite, tanto internacionales como de los EE.UU:

6,434,998	6,477,757	6,694,586	6,729,009	6,923,037
7,000,448	7,059,166	7,146,839	7,155,955	7,188,508
7,237,427	7,260,975	7,363,799	D562,098	

⚠ AVERTENCIA Emplee únicamente Selladoras RIDGID y los accesorios de sellado RIDGID (juegos de mordazas, aros, accionadores, etc.) cuando así lo indique el fabricante del acoplamiento en uso. El empleo de Selladoras y/o accesorios que no corresponden al sistema que se instala puede causar fugas, daños a la Selladora o al accesorio, anular las garantías pertinentes y causar graves lesiones personales.

AVISO Consulte al fabricante de los acoplamientos que se sellarán para obtener información específica de todo lo concerniente al sistema que integran: tubería compatible, materiales, instrucciones de instalación, distancia mínima requerida entre acoplamientos, materiales para selladuras, inspección, pruebas, etc. Las instalaciones hechas de forma incorrecta pueden causar fugas y daños materiales de consideración.

Llame al Departamento de Servicio Técnico de Ridge Tool al (800) 519-3456 o visite rtctechservices@emerson.com en la web para obtener un listado de los fabricantes de sistemas y válvulas de sellado que recomiendan el uso de Selladoras y accesorios RIDGID para la instalación de sus sistemas.

Revisión de la Selladora y sus accesorios

⚠ ADVERTENCIA



Revise la Selladora y sus accesorios diariamente y enmiende cualquier problema que detecte con el fin de evitar lesiones graves por descargas eléctricas, fallas de la Selladora y/o accesorios y daños materiales.

1. Inspeccione la Selladora según las instrucciones de su propio manual.
2. Quite el aceite, grasa o mugre de la Selladora y sus accesorios, y especialmente de los mangos y controles. Esto facilita la inspección e impide que el aparato y sus accesorios resbalen de sus manos.
3. Fíjese bien en los componentes de los accesorios (mordazas, aros, accionadores...) por si tienen partes o piezas agrietadas, quebradas, desgastadas, faltantes, desalineadas o agarrotadas y para detectar cualquier otra condición que podría afectar el funcionamiento correcto y seguro de éstos. Una pieza averiada de un accesorio podría ocasionar una selladura defectuosa y causar graves lesiones y cuantiosos daños en una propiedad. Si detecta algún desperfecto en un accesorio, deséchelo y reemplácelo.

⚠ AVERTENCIA Siempre deseche la totalidad del accesorio. Jamás recambie sólo una parte o un componente individual del conjunto, ni intercambie partes entre accesorios. Si no se recambia el accesorio completo, puede fallar y causar lesiones graves.

No modifique un accesorio de sellado ni utilice accesorios que han sido alterados. Un accesorio de sellado que ha sido soldado, afilado, perforado o modificado de cualquier forma puede hacerse trizas durante una selladura y disparar objetos cortantes por los aires, causando lesiones, heridas graves y hasta la muerte. Deseche y reemplace un accesorio de sellado dañado.

4. Inspeccione las marcas de identificación en los accesorios para cerciorarse de que el accesorio que va a emplear corresponde al sistema y al diámetro de la instalación. No utilice un accesorio que no tiene una identificación legible.
5. Inspeccione el perfil o superficie en el accesorio, aquel que efectúa la selladura. Si está oxidado, sucio o cubierto de restos de selladuras, límpielo como se describe en la sección Mantenimiento en este manual. Es importante mantener limpio el perfil que efectúa la selladura para evitar la formación de rebabas durante el proceso, que el accesorio se quede pegado al acoplamiento, y asegurar una selladura hermética.
6. Asegure que los resortes funcionan y que mueven el accesorio correctamente (cerrados para aros, mordazas y accionadores). El accesorio debe abrirse y cerrarse por completo, libremente. Si es necesario, lubrique los puntos que pivotan con un aceite lubricante liviano. Quite el exceso de aceite.

Preparación del aparato y de la zona de trabajo

⚠ ADVERTENCIA



Prepare la Selladora, accesorio y la zona de trabajo de acuerdo a estos procedimientos con el fin de evitar lesiones por descargas eléctricas u otras causas, y daños materiales.

1. Examine el trabajo que debe realizar y determine
 - cual sistema de acoplamientos empleará,
 - cuales tamaños de acoplamientos instalará, y
 - el espacio con que cuenta para maniobrar con la Selladora y accesorios al efectuar las conexiones.
2. Establezca cual Selladora y cuales accesorios requiere para efectuar las conexiones. Vea la sección *Descripción y Especificaciones* para conocer los accesorios

disponibles para la instalación de sistemas ProPress. Los datos sobre los espacios libres requeridos para hacer uso de los diversos accesorios los encontrará al final de este manual. En el sitio web www.RIDGID.com hallará la información acerca de las Selladoras RIDGID y los accesorios de sellado RIDGID, o llame al (800) 519-3456 y consulte a un técnico de Ridge Tool Technical Services.

Emplee únicamente Selladoras RIDGID y accesorios de sellado RIDGID (mordazas, aros, accionadores, etc.) cuando el fabricante de los acoplamientos así lo indica. Asegure que el accionador que empleará sea el indicado para el aro sellador seleccionado. Cada aro viene marcado con el accionador que le corresponde. El empleo de una selladora incorrecta y/o accesorios que no pertenecen al sistema siendo instalado puede causar fugas, dañar la Selladora y/o el accesorio, o lesionar a alguien.

3. Asegure que la Selladora y el accesorio de sellado han sido revisados de acuerdo a sus respectivos manuales e instrucciones.
4. Prepare la Selladora según los procedimientos que figuran en su propio manual del operario.

Montaje del accesorio en la Selladora

1. Cerciórese de que la Selladora está desenchufada o que su pila ha sido extraída.
2. Jale (abra) el pasador para el montaje del accesorio que se encuentra a un costado del barril de la Selladora. Si la Selladora ya tiene un accesorio acoplado, extráigalo. (Vea la Figura 6.)

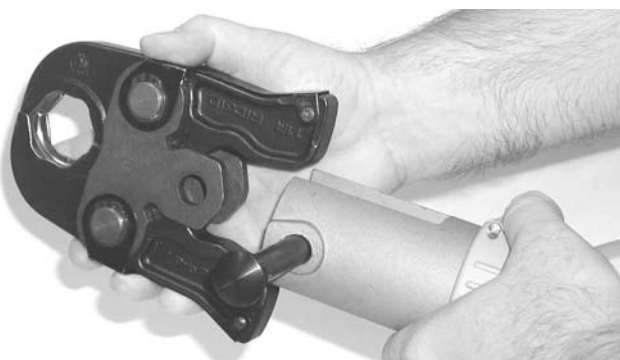


Figura 6 – Jale el pasador para el montaje del accesorio

3. Coloque el accesorio en la nariz de la Selladora y vuelva a embutir el pasador hasta adentro. La Selladora no funcionará si el pasador no se encuentra totalmente encajado.

Calibración de la Selladora al montarse un accesorio específico (Selladora 320-E solamente)

La Selladora 320-E posee una característica que se encarga de asegurar que todas las selladuras se completen con éxito. Cuando a la 320-E se le instala un accesorio en su punta, la Selladora realiza un ciclo de calibración. Luego, la 320-E compara este ciclo de calibración con cada conexión que efectúa. Si la conexión sellada no coincide con el ciclo de calibración, la Selladora procede a alertar al usuario indicándole que ha ocurrido un error.

Se entrega aquí la información de calibración específica para cada tipo de accesorio. Consulte el manual de la Selladora 320-E o llame al Servicio Técnico de Ridge Tool si tiene dudas acerca de esta característica.

Calibración de la 320-E habiéndosele montado un juego de mordazas

1. Asegure que el juego de mordazas instalado en la Selladora 320-E es el correcto.
2. Introduzca la pila cargada por la base del mango de la 320-E.
3. Oprima una vez el botón ON/OFF (encendida/apagada) en el visualizador, para encender la Selladora. La alarma debe emitir un pitido y los tres diodos emisores de luz (DELs) pestañearán una vez. En seguida, el DEL verde debería estar pestañeando para indicar que se requiere una calibración.

La Selladora se pondrá por sí sola en la modalidad de "dormida" si no se la usa por diez (10) minutos. Para "despertarla" es necesario oprimir nuevamente el botón de ON/OFF en el visualizador superior.

4. Complete un ciclo con las mordazas vacías (sin el acoplamiento entre las tenazas). Ahora el DEL verde debe estar prendido en forma continua indicando que la Selladora está bien calibrada. El aparato está listo para efectuar selladuras. El aparato permanecerá calibrado siempre que las mordazas estén instaladas, a no ser que la Selladora se deje sin funcionar por más de sesenta (60) minutos. En este caso, que será indicado por un DEL verde pestañeando cuando el aparato se vuelva a encender, el proceso de calibración debe repetirse.

Cada vez que se cambie el juego de mordazas o el accionador (se jale el pasador para el montaje de las mordazas), el proceso de calibración deberá repetirse con el fin de permitir la detección de cualquier falla en el cierre de las mordazas.

Calibración de la 320-E habiéndosele montado un accionador R2 (para utilizarla con aros ProPress XL)

1. Introduzca una pila totalmente cargada en el mango de la Selladora 320-E.
2. Oprima una vez el botón ON/OFF (encendida/apagada), en el visualizador, para encender la Selladora. La alarma debe emitir un pitido y los tres diodos emisores de luz (DELs) pestañearán una vez. En seguida, el DEL verde debería estar pestañeando para indicar que se requiere una calibración.

La Selladora se pondrá por sí sola en la modalidad de "dormida" si no se la usa por diez (10) minutos. Para "despertarla" es necesario oprimir nuevamente el botón de ON/OFF en el visualizador superior.

3. Complete un ciclo con el accionador R2 "vacío" (sin aro sellador acoplado). El DEL verde continuará pestañeando, sin embargo el detector de la posición del ariete se encuentra desactivado. Debido al diseño del aro sellador, no es posible detectar el cierre de las mordazas puesto que el aro nunca se cierra por completo. Ahora el aparato está listo para comenzar a sellar acoplamientos ProPress XL. El detector de la posición del ariete continuará inactivo mientras el accionador del aro esté instalado, a no ser que la Selladora se deje sin funcionar por más de sesenta (60) minutos. En este caso, cuando el aparato se vuelva a encender (mediante el botón ON/OFF en el visualizador), el proceso de calibración debe repetirse.

Cada vez que se cambie el accionador R2, el proceso de calibración deberá repetirse con el fin de desactivar el detector de la posición del ariete.

Calibración de la Selladora 320-E habiéndosele montado un accionador V1 ó un V2 (para utilizarla con aros ProPress o aros ProPress XL-C)

1. Asegure que la Selladora 320-E tiene montado el accionador (V1 ó V2) correcto.
2. Introduzca una pila totalmente cargada en el mango de la Selladora 320-E.
3. Oprima una vez el botón ON/OFF (encendida/apagada), en el visualizador, para encender la Selladora. La alarma debe emitir un pitido y los tres diodos emisores de luz (DELs) pestañearán una vez. En seguida, el DEL verde debería estar pestañeando para indicar que se requiere una calibración.

La Selladora se pondrá por sí sola en la modalidad de "dormida" si no se la usa en el transcurso de diez (10) minutos. Para "despertarla" es necesario oprimir

nuevamente el botón de ON/OFF en el visualizador superior.

4. Abra el accionador y engrane sus puntas en el aro sellador indicado para el tipo de tarea que realizará.
5. Complete un ciclo "de prueba" con el accionador y aro seleccionados, es decir, sin un acoplamiento presente. Ahora el DEL verde debe permanecer iluminado: está indicando que la Selladora se ha calibrado para funcionar con este accionador y este aro específicos. El aparato permanecerá calibrado siempre que este accionador esté instalado, a no ser que la Selladora se deje sin funcionar por más de sesenta (60) minutos. En este caso, que será indicado por un DEL verde pestañeando cuando el aparato se vuelva a encender, el proceso de calibración debe repetirse.
6. Si el operario desea cambiar el tamaño del acoplamiento que sellará y emplear un aro de diferente tamaño pero compatible con el accionador que se encuentra instalado en la Selladora, necesita recalibrar la nueva combinación aro/accionador. Para realizar la recalibración se requiere retraer (abrir) parcialmente el pasador para el montaje de accesorios en la Selladora y luego encajarlo nuevamente. Esta acción borra de la memoria de la Selladora la calibración anterior. Ahora el DEL verde debe estar pestañeando: indica que la Selladora está lista para calibrarse nuevamente. Repita el paso 5 para calibrar el aparato con la nueva combinación aro/accionador.

Preparación de la conexión

AVISO Éstas son instrucciones generales. Por ende, siga siempre las instrucciones de instalación específicas del fabricante del acoplamiento. De lo contrario la junta, unión o conexión puede quedar defectuosa, tener fugas, y/o causar cuantiosos daños materiales.

Preparación del tubo

1. Si es necesario, corte el tubo -apropiado para el sistema de acoplamiento que se empleará- del largo que desea. Emplee un cortatubos u otra herramienta que corte el tubo limpiamente en ángulo recto con respecto a su eje. Si para cortarlo sujetará el tubo en un tornillo de banco, procure que el tornillo no agarre al tubo cerca del extremo que irá dentro del acoplamiento, para que no se dañe. Los rayones o arañazos en el diámetro exterior del tubo o un tubo deformado pueden causar fugas.
2. Elimine las rebabas de los diámetros interior y exterior del extremo del tubo, empleando una lija, escañador o herramienta quitarebabas. Las rebabas

pueden hacer cortes en el elemento sellador del acoplamiento y causar fugas.

3. Limpie el extremo del tubo de toda mugre, aceite y grasa. Un tubo que no ha sido bien preparado puede ocasionar una conexión defectuosa, fugas y daños materiales.

Inserción del tubo en el acoplamiento

1. Revise el acoplamiento según las instrucciones del fabricante para asegurar que cuenta con todas sus partes, que éstas están en su lugar y que el acoplamiento está limpio y libre de contaminantes. Si al acoplamiento le falta alguna pieza o está sucio, puede ocasionar una conexión defectuosa, fugas y otros daños materiales. *Vea las Figuras 7.*



Figura 7A – Inspección del acoplamiento ProPress de acuerdo a las instrucciones de su fabricante

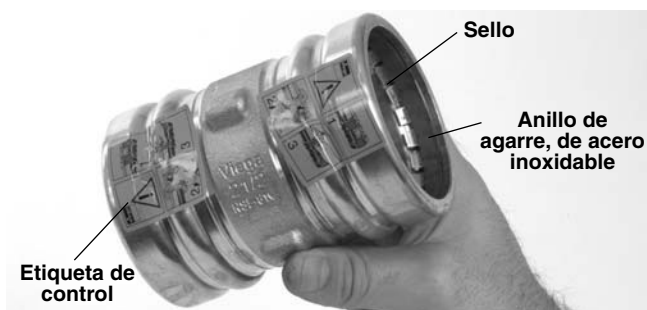


Figura 7B – Inspección del acoplamiento ProPress XL antes de introducirle un tubo



Figura 7C – Inspección del acoplamiento ProPress XL-C antes de introducirle un tubo

2. Algunos sistemas de sellado requieren marcar el tubo antes de introducirlo en el acoplamiento. Esta brecha si las instrucciones del fabricante del acoplamiento recomiendan marcar el tubo. Si es así, márkelo con un rotulador de tinta indeleble (permanent marker) para indicar la profundidad hasta la cual debe introducirse en el acoplamiento. Gracias a esta marca, el operario puede asegurarse –antes de iniciar la selladura de la conexión- de que ha insertado el tubo hasta la profundidad debida. *(Vea la Figura 8).*

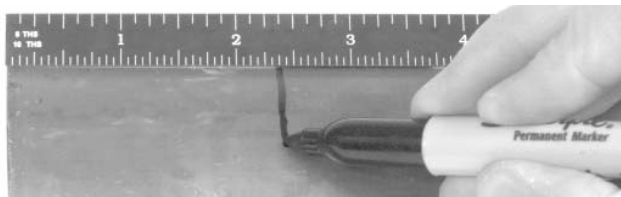


Figura 8 – Marque la profundidad hasta donde debe insertarse el tubo en el acoplamiento

3. Introduzca el tubo en el acoplamiento hasta que tope. La mayoría de los acoplamientos tiene un resalte en su interior donde el extremo del tubo tope y no puede seguir de largo. Pero algunos acoplamientos no cuentan con este resalte y es posible atravesarlos por completo. Esta clase de acoplamientos se usa comúnmente en trabajos de reparación. Si el acoplamiento no tiene un resalte o tope, introduzca el tubo hasta la marca que usted le ha hecho para que ésta quede al ras con el extremo del acoplamiento. En algunos casos, se facilita la introducción del tubo empleando un movimiento giratorio. Nunca emplee un lubricante salvo que el fabricante del acoplamiento lo recomiende. Los lubricantes podrían degradar el sello y causar fugas. Un tubo que no entra en el acoplamiento podría no estar perfectamente redondo o tener rebabas en su extremo, las que pueden dañar el sello y ocasionar fugas.
4. Asegure que el tubo se ha introducido hasta la profundidad debida. Si el tubo no se marcó anteriormente, márkelo de todos modos ahora, como se muestra en la Figura 9.



Figura 9 – Marque el tubo aún después de haberlo insertado hasta el resalte del acoplamiento

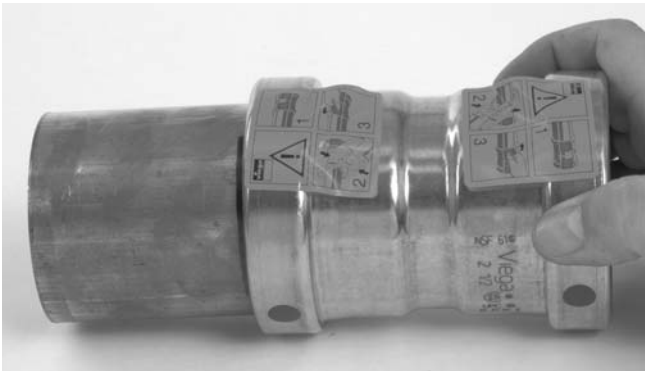


Figura 10 – Inserción del tubo en el acoplamiento hasta la profundidad debida

Instrucciones de funcionamiento

⚠ ADVERTENCIA



Siempre lleve protección para los ojos para protegerlos del polvo, mugre u otros objetos foráneos.

Mantenga sus dedos y manos apartados de los accesorios de la Selladora durante el ciclo de sellado. Sus dedos o manos pueden ser aplastados, fracturados o amputados si quedan atrapados en el accesorio o en la Selladora, o entre éstos, la pieza de trabajo o cualquier otro objeto.

Respete las instrucciones de funcionamiento para evitar lesiones a sus manos y daños a las herramientas de sellado.

⚠ AVERTENCIA Emplee únicamente Selladoras RIDGID y los accesorios de sellado RIDGID (juegos de mordazas, aros, accionadores, etc.) cuando así lo indique el fabricante del acoplamiento en uso. El empleo de Selladoras y/o accesorios que no corresponden al sistema que se instala puede causar fugas, daños a la Selladora o al accesorio, anular las garantías pertinentes y causar graves lesiones personales.

Confirme que la Selladora y los accesorios hayan sido preparados debidamente.

Sellado de una conexión empleando un juego de mordazas

1. Apriete los brazos de las mordazas para abrirlas y coloque las mordazas abiertas alrededor del acoplamiento. Permita que las mordazas se cierren sobre el acoplamiento procurando que las curvas cóncavas de las mordazas queden bien alineadas

con el contorno convexo del acoplamiento (vea la Figura 11.)



Figura 11 – Mordazas rodeando el acoplamiento

2. Asegure que el tubo está metido en el acoplamiento hasta la profundidad debida, según se indica en el manual del acoplamiento que se está instalando.
3. Asegure que las mordazas y la Selladora estén en ángulo recto con relación al tubo (Figura 12) y oprima el interruptor de la Selladora. Mantenga sus dedos alejados de las mordazas y las piezas aledañas para evitar pellizcos y lesiones.

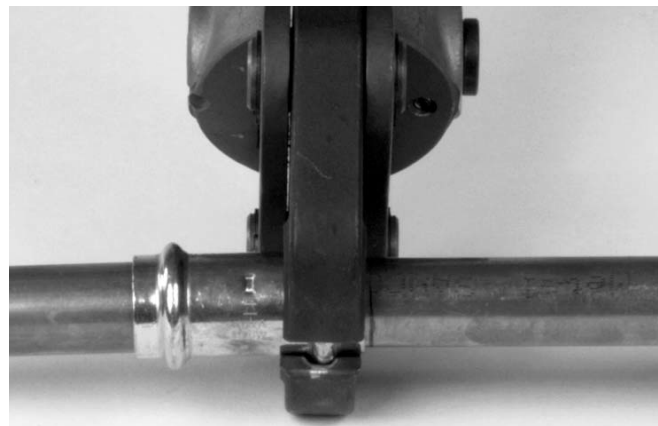


Figura 12 – Mordazas en ángulo recto en relación con el acoplamiento y tubo

El ciclo de sellado tarda entre 4 y 8 segundos en completarse, dependiendo de la Selladora. Una vez que comienza el ciclo de una selladura y los rodillos hacen contacto con las mordazas, el aparato se enclava y automáticamente completa el ciclo de sellado. Cuando el ciclo de sellado se encuentra en marcha, aunque usted suelte el gatillo, el aparato no se detendrá. Así se asegura la repetida entereza de las juntas. Si el aparato llegase a fallar, consulte el manual de la Selladora en uso.

4. Apriete los brazos de las mordazas para abrirlas y desmóntelas del acoplamiento. Evite tocar las re-

babas o bordes cortantes que pudieran haberse formado sobre el acoplamiento durante la selladura.

Sellado de una conexión empleando un aro y un accionador

1. Abra el aro que va a sellar y móntelo rectamente alrededor del acoplamiento. Permita que el aro se cierre sobre el acoplamiento procurando que las curvas cóncavas del aro queden bien alineadas con el contorno convexo del acoplamiento. Si no quedan alineados correctamente, la conexión no quedará bien hecha. *Vea las Figuras 13A, B y C.*

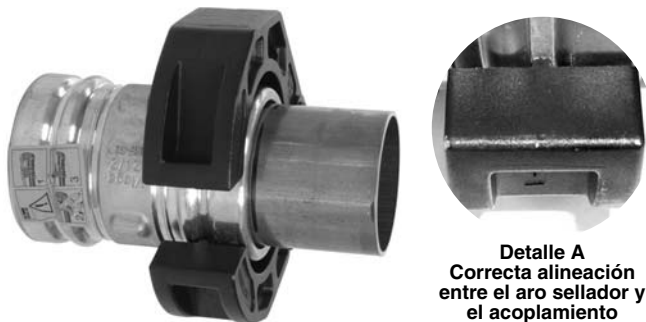


Figura 13A – Montaje del aro ProPress XL alrededor del acoplamiento



Figura 13B – Montaje del ProPress XL-C alrededor del acoplamiento



Figura 13C – Montaje del aro ProPress alrededor del acoplamiento

2. Confirme que el accionador correspondiente al aro que se sellará está puesto en la Selladora (el aro tiene marcado el accionador que le corresponde: R2, V1 ó V2). Cada aro debe sellarse con el accionador debido para evitar lesiones, daños a los dispositivos y conexiones mal hechas. Si se está empleando la Selladora 320-E, asegure que la Selladora y el accionador hayan sido calibrados para sellar el aro que se va a usar. La calibración se explica en la sección *Preparación del aparato y de la zona de trabajo.*
3. Apriete los brazos del accionador para abrir sus puntas, introduzca las puntas en las cavidades del aro y permita que el accionador se cierre y asiente en las cavidades. *Vea las Figuras 14A a la C.* El accionador R2 debe montarse perpendicularmente sobre el aro y el acoplamiento asentándose bien dentro de las cavidades del aro ProPress XL. En cambio, los accionadores V1 y V2 y sus aros correspondientes tienen un diseño que le permiten al accionador y a la Selladora girar hasta en 90 grados en cada sentido con respecto a la perpendicular. Asegure que las puntas del accionador estén bien asentadas en las cavidades del aro.



Figura 14A – Las puntas del accionador asentadas en las cavidades del aro



Figura 14B – Las puntas del accionador V2 asentadas en las cavidades del aro XL-C



Figura 14C – Las puntas del accionador V2 colocadas, paralelamente al tubo, en las cavidades del aro XL-C para mayor maniobrabilidad

No deje que el accionador y la Selladora cuelguen del aro. Pueden soltarse y caer, y causar graves lesiones y hasta muertes.

4. Asegure que el aro está en ángulo recto con relación al tubo y al acoplamiento. Oprima el interruptor de la Selladora. Mantenga sus dedos apartados del accionador y del aro para evitar pellizcos y lesiones.

El ciclo de sellado tarda entre 4 y 8 segundos en completarse, dependiendo de la Selladora. Una vez que comienza el ciclo de una selladura y los rodillos hacen contacto con las mordazas, el aparato se enclava y automáticamente completa el ciclo de sellado. Cuando el ciclo ya se encuentra en marcha, aunque usted suelte el gatillo, el aparato no se detendrá. Así se asegura la repetida entereza de las juntas. Si el aparato llegase a fallar, consulte el manual de la Selladora en uso.

Los aros ProPress y los ProPress XL-C fueron hechos para cerrarse por completo durante una selladura. En cambio los aros ProPress XL no deben cerrarse por completo: es normal que al término del ciclo quede un espacio de aproximadamente 8 mm. (5/16 pulgs.) entre las puntas de las dos mitades del aro.

5. Finalizada la selladura, apriete los brazos del accionador para abrir sus puntas y desmóntelo del aro.
6. Evite tocar las rebabas o bordes cortantes que pudieran haberse formado sobre el acoplamiento durante la selladura.

Inspección de la conexión sellada

1. Revise el acoplamiento que recién selló. Si el acoplamiento viene de fábrica con un anillo de control y/o una etiqueta de control, quítelos (vea las Figuras

7B y 7C). Los anillos y etiquetas de control suministradas por el fabricante del acoplamiento indican que el acoplamiento todavía no ha sido sellado. Cuando usted los saca, le advierte a los demás que este acoplamiento ya ha sido sellado.

Verifique que no haya:

- una desalineación excesiva de los tubos. Recuerde que una pequeña desalineación en la zona de la conexión se considera normal.
- tubo que no se metió hasta la profundidad debida dentro del acoplamiento. Verifique nuevamente que la marca hecha con tinta indeleble alrededor del tubo todavía se encuentra al ras con el extremo del acoplamiento.
- mordazas y aro que no se alinearon correctamente con el contorno del acoplamiento, acoplamiento deformado.
- cualquier otro problema mencionado por el fabricante.

Si usted detecta cualquiera de estos problemas, será necesario preparar, montar y sellar un nuevo acoplamiento y un nuevo trozo de tubo.

2. Al inspeccionar acoplamientos ProPress, revise y confirme que quedaron impresas las "marcas testigo" en uno de los planos hexagonales del acoplamiento (Figura 15). Esta singular marca confirma que se empleó en la selladura de este acoplamiento ProPress el juego de mordazas RIDGID correcto. La marca testigo es marca registrada de Ridge Tool Company. La ausencia de la marca testigo en una conexión ProPress puede invalidar la garantía del fabricante del sistema de sellado. Los sistemas ProPress XL y ProPress XL-C no cuentan con marcas testigo.

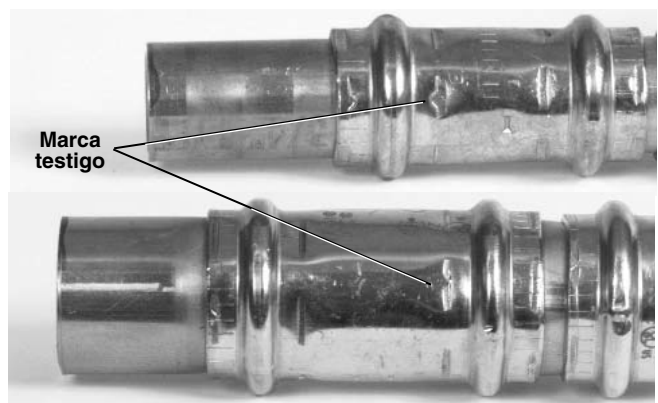


Figura 15 – Marcas testigo del sistema de sellado ProPress

3. Someta el sistema a prueba de acuerdo a las prácticas habituales y a los códigos locales en vigencia. El proveedor del sistema de sellado podría haber esta-

blecido procedimientos adicionales para poner a prueba la entereza de sus selladuras.

Instrucciones de mantenimiento

⚠ ADVERTENCIA

Los accesorios de sellado deben extraerse de la Selladora antes de efectuarles mantenimiento.

Siempre lleve protección para los ojos. Protéjalos del polvo, mugre y otros cuerpos extraños.

Cualquier componente de las mordazas, aro sellador o accionador que haya sido soldado, afilado, perforado o modificado de alguna forma puede hacerse trizas durante una selladura y lanzar objetos por los aires. Esto puede causar lesiones graves y hasta la muerte. Deseche y reemplace mordazas, aros selladores o accionadores del aro que estén dañados.

1. Antes de utilizarlo, inspeccione el contorno exterior del accesorio. Si está dañado, deseche el accesorio. Si está oxidado, sucio o si muestra una acumulación de restos de sellado u otros contaminantes, a mano límpiele el contorno. Es probable que si el accesorio tiene contaminantes en la zona de sellado (especialmente sobre las puntas de las mordazas o el aro de sellado, *Figura 16*) al acoplador se le formarán rebabas durante la selladura. Las rebabas dañan el contorno del acoplador.

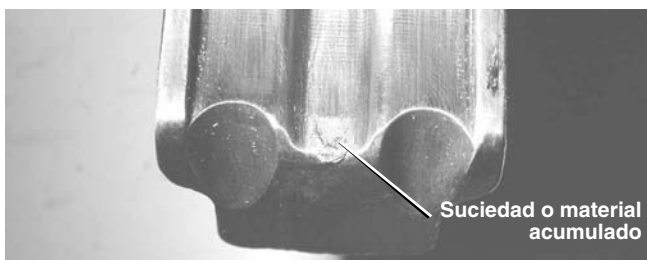


Figura 16 – Acumulación de desechos sobre el accesorio de sellado

Emplee una almohadilla limpiametales fina Scotch-Brite® (Scotch-Brite® es marca registrada de 3M Company), lana de acero o una escobilla de cerdas de acero para quitar la acumulación de desechos en el accesorio.

AVISO No limpie la superficie de sellado del accesorio con materiales abrasivos, tales como tela de esmeril, papel de lija, rueda de amolar o lima rotatoria. Ya que éstos pueden alterar las fundamentales dimensiones de la superficie que efectúa la selladura y producir acoplamientos defectuosos.

2. Lubrique los pasadores de pivote y los puntos móviles del accesorio por lo menos una vez al mes con aceite liviano multiuso. Seque el acceso de aceite.

3. Revise los resortes de retorno en los accesorios de sellado después de cada uso. Los accesorios deben abrirse y cerrarse libremente sin esfuerzo. Si no tiene el resorte o el accesorio está trabado, no utilice el accesorio hasta que haya sido reparado.

Accesorios

⚠ ADVERTENCIA

Sólo los siguientes productos ProPress® han sido fabricados para funcionar con una Selladora RIDGID. Otros juegos de mordazas y accesorios, aptos para montarse en otros aparatos, pueden resultar peligrosos y/o efectúan selladuras defectuosas.

Para evitar lesiones al sellar acoplamientos ProPress, emplee únicamente los accesorios listados a continuación.

Sistema de Sellado ProPress:

Juegos de mordazas ProPress serie Standard

No. en el catálogo	Descripción
76652	Juego de mordazas ProPress de 1/2 pulg.
76657	Juego de mordazas ProPress de 3/4 pulg.
76662	Juego de mordazas ProPress de 1 pulg.
76667	Juego de mordazas ProPress de 1 1/4 pulg.
76672	Juego de mordazas ProPress de 1 1/2 pulg.
76677	Juego de mordazas ProPress de 2 pulg.

Juegos de mordazas ProPress serie Compact

No. en el catálogo	Descripción
16958	Juego de mordazas ProPress de 1/2 pulg.
16963	Juego de mordazas ProPress de 3/4 pulg.
16978	Juego de mordazas ProPress de 1 pulg.
31228	Juego de mordazas ProPress de 1 1/4 pulg.

Aros selladores ProPress

No. en el catálogo	Descripción
27998	Aro ProPress de 1/2 pulg.
28003	Aro ProPress de 3/4 pulg.
28008	Aro ProPress de 1 pulg.
28013	Aro ProPress de 1 1/4 pulg.
28018	Aro ProPress de 1 1/2 pulg.
28023	Aro ProPress de 2 pulg.
26163	Accionador C1
28033	Accionador V1
21878	Accionador V2
28043	Kit C1, 1/2 a 1 1/4 pulgada
27423	Kit V1, 1/2 a 1 1/4 pulgada
28048	Kit combinado C1/V1, 1/2 a 1 1/4 pulgada
27428	Kit V2, 1 1/2 a 2 pulgadas
28028	Maletín para kits de aros de 1/2 a 1 1/4 pulgada
28038	Maletín para kit de aros de 1 1/2 a 2 pulgadas

Aros selladores ProPress XL

No. en el catálogo	Descripción
93677	Aro sellador ProPress XL de 2½ pulg.
93682	Aro sellador ProPress XL de 3 pulg.
93687	Aro sellador ProPress XL de 4 pulg.
93692	Accionador R2
16803	Maletín del juego ProPress XL
93667	Kit R2, 2½ a 4 pulgadas

Aros selladores ProPress XL-C

No. en el catálogo	Descripción
20543	Aro sellador ProPress XL-C de 2½ pulg.
20548	Aro sellador ProPress XL-C de 3 pulg.
20553	Aro sellador ProPress XL-C de 4 pulg.
21878	Accionador V2
21103	Maletín del juego ProPress XL-C
20483	V2 Kit, 2½" - 4"

- Llame al Departamento de Servicio Técnico de Ridge Tool desde EE.UU. o Canadá al (800) 519-3456 o escriba a rttechservices@emerson.com.

Almacenamiento

⚠ AVERTENCIA Las Selladoras y accesorios deben guardarse adentro, bajo techo, o bien protegidos de las inclemencias del tiempo. Almacénelos bajo llave donde no los puedan alcanzar niños y personas no capacitadas para usarlos.

Servicio y reparaciones

⚠ ADVERTENCIA
Los aparatos y accesorios sometidos a reparaciones o mantenimiento indebidos pueden tornarse peligrosos.

Las instrucciones de Mantenimiento abarcan la mayor parte de los servicios que exige este aparato. Cualquier problema que no se mencione en esta sección debe confiársele a un técnico autorizado de RIDGID.

Las piezas de estos accesorios no están disponibles para la venta. Si el accesorio requiere una pieza, deséchelo y adquiera uno nuevo.

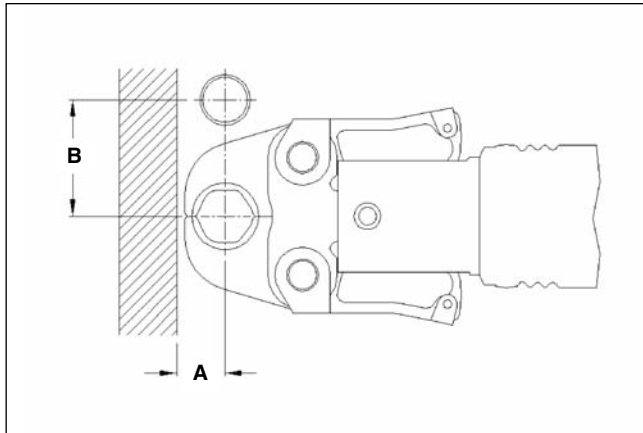
Para obtener información acerca del Servicentro Autorizado RIDGID más cercano a su localidad o consultar sobre el servicio o reparación de esta máquina:

- Contacte al distribuidor de Ridge Tool en su localidad.
- En internet visite el sitio www.RIDGID.com ó www.RIDGID.eu para averiguar dónde se encuentran los centros autorizados de Ridge Tool más cercanos.

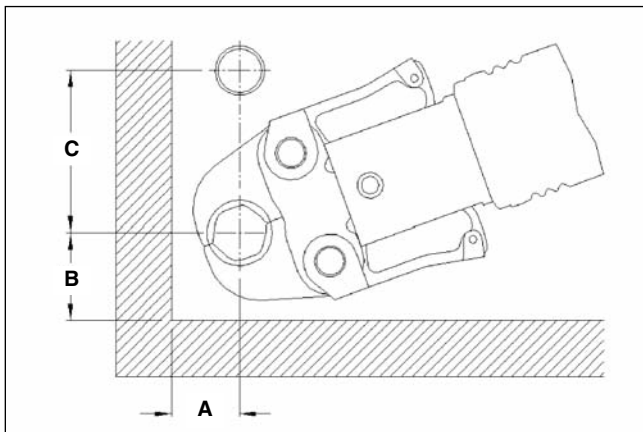
Selladuras en espacios restringidos

Las figuras siguientes muestran el espacio libre requerido para las mordazas y acoplamientos y el método para sellar acoplamientos en espacios restringidos.

Espacio libre requerido para las mordazas ProPress Serie Standard



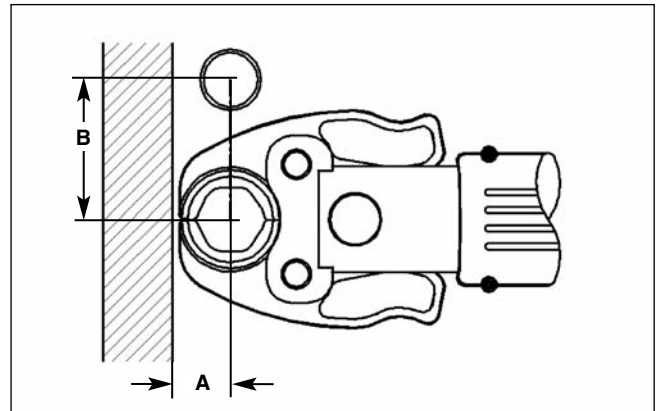
Ø del tubo	A (mínimo)		B (mínimo)	
	pulg.	mm	pulg.	mm
1/2"	3/4"	19	1 5/8"	41
3/4"	7/8"	22	2 1/8"	54
1"	1"	26	2 1/2"	64
1 1/4"	1 1/8"	29	2 7/8"	73
1 1/2"	1 3/4"	45	3 1/2"	89
2"	2"	51	4 3/8"	111



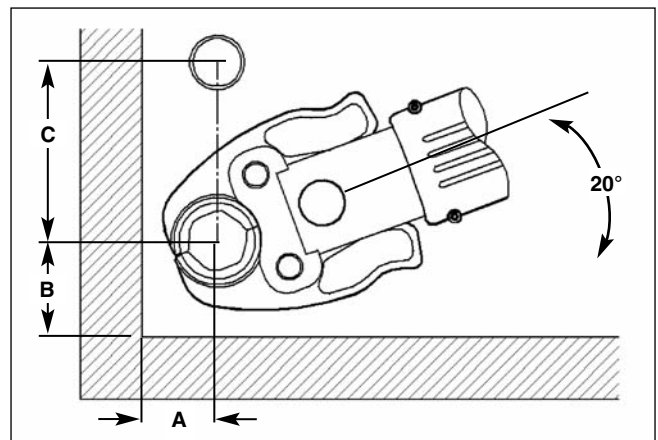
Ø del tubo	A (mínimo)		B (mínimo)		C (mínimo)	
	pulg.	mm	pulg.	mm	pulg.	mm
1/2"	7/8"	23	1 3/8"	35	2 1/2"	64
3/4"	1"	26	1 1/2"	38	2 1/2"	64
1"	1 1/8"	29	1 3/4"	45	3"	76
1 1/4"	1 1/4"	32	2 1/4"	57	3 1/8"	80
1 1/2"	1 7/8"	48	2 1/2"	64	3 3/4"	95
2"	2 1/8"	54	3 1/8"	80	5"	127

pulg. = pulgadas

Espacio libre requerido para las mordazas ProPress Serie Compact

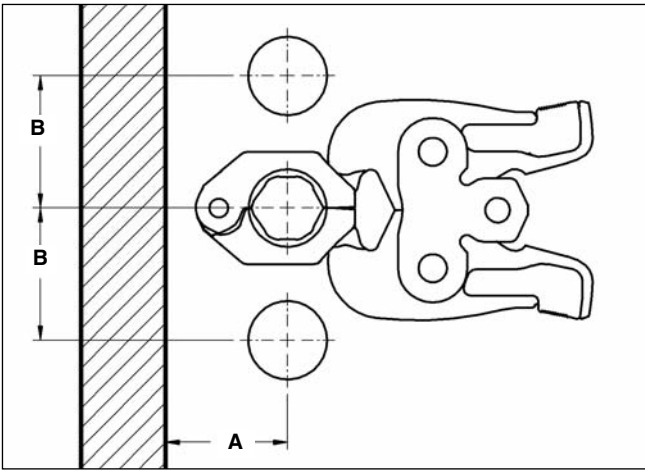


Ø del tubo	A (mínimo)		B (mínimo)	
	pulg.	mm	pulg.	mm
1/2"	3/4"	19	2"	51
3/4"	7/8"	22	2 3/8"	60
1"	1"	26	2 5/8"	67
1 1/4"	1 1/8"	28	3 1/8"	79

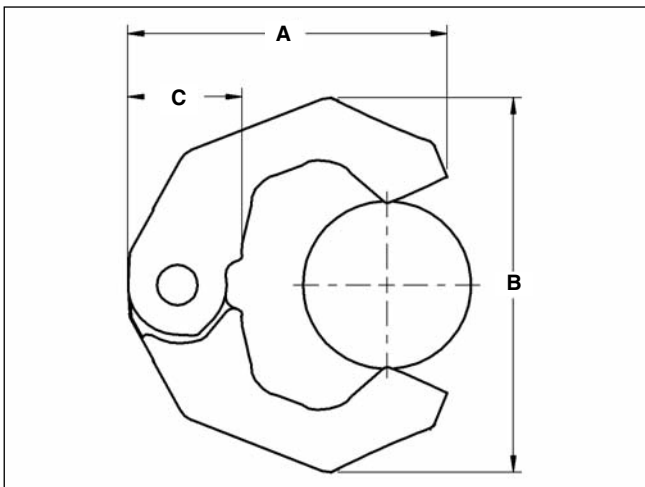


Ø del tubo	A (mínimo)		B (mínimo)		C (mínimo)	
	pulg.	mm	pulg.	mm	pulg.	mm
1/2"	7/8"	23	1 3/8"	35	2 1/2"	64
3/4"	1"	26	1 1/2"	38	2 3/4"	70
1"	1 1/8"	29	1 5/8"	41	3"	76
1 1/4"	1 5/8"	39	2 1/8"	53	3 3/8"	85

Espacio libre requerido para los aros selladores ProPress

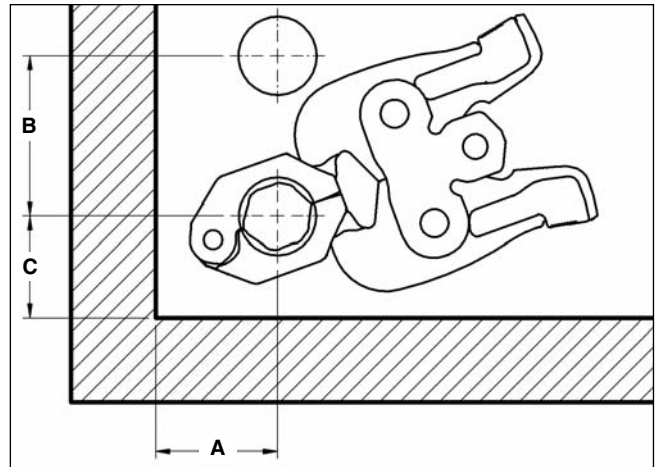


Ø del tubo	A (mínimo)		B (mínimo)	
	pulg.	mm	pulg.	mm
1/2"	1 5/8"	41	2 13/16"	71
3/4"	1 3/4"	45	2 3/16"	55
1"	2"	51	1 5/8"	42
1 1/4"	2 3/16"	55	2 15/16"	75
1 1/2"	2 3/8"	60	3 5/16"	85
2"	2 9/16"	65	4 1/8"	105



Ø del tubo	A (mínimo)		B (mínimo)		C (mínimo)	
	pulg.	mm	pulg.	mm	pulg.	mm
1/2"	2 1/4"	57	2 1/8"	54	1 1/16"	27
3/4"	2 11/16"	68	2 7/8"	73	1 1/8"	28
1"	2 5/16"	75	3 3/16"	84	1 3/16"	31
1 1/4"	3 3/16"	84	3 7/8"	99	1 3/16"	30
1 1/2"	3 11/16"	94	4 5/16"	110	1 3/16"	31
2"	4 7/16"	113	5 1/16"	139	1 3/16"	30

pulg. = pulgadas

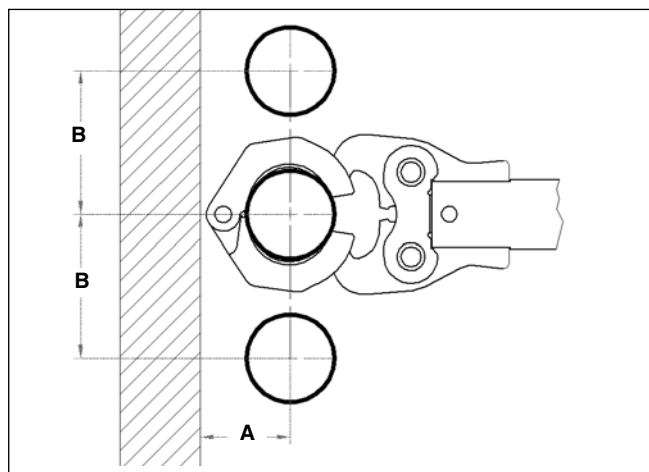


Ø del tubo	A (mínimo)		B (mínimo)		C (mínimo)	
	pulg.	mm	pulg.	mm	pulg.	mm
1/2"	1 5/8"	41	3 9/16"	90	2 5/16"	59
3/4"	1 3/4"	45	3 5/8"	92	2 1/8"	55
1"	2"	51	3 13/16"	97	2 3/16"	56
1 1/4"	2 3/16"	55	3 3/4"	92	2 1/8"	55

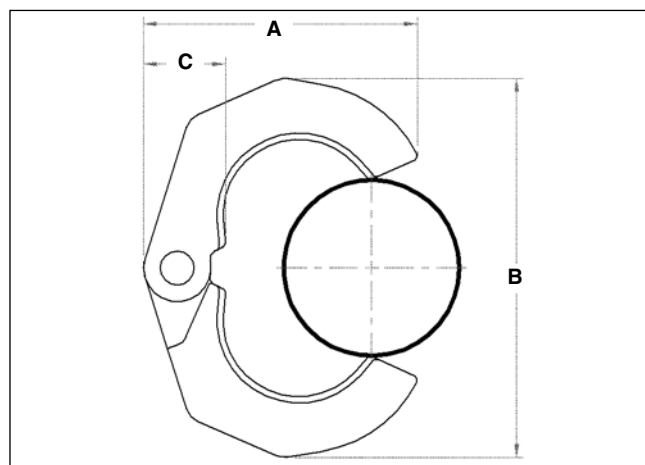
Ø del tubo	A (mínimo)		B (mínimo)		C (mínimo)	
	pulg.	mm	pulg.	mm	pulg.	mm
1 1/2"	2 3/8"	60	5"	127	2 3/16"	56
2"	2 9/16"	65	4 3/4"	121	2 9/16"	65

Ø del tubo	A (mínimo)		B (mínimo)		C (mínimo)	
	pulg.	mm	pulg.	mm	pulg.	mm
1/2"	1 5/8"	41	3 1/4"	83	2"	51
3/4"	1 3/4"	45	3 1/4"	83	1 7/8"	48
1"	2"	51	3 1/4"	83	1 7/8"	48
1 1/4"	2 3/16"	55	3 3/8"	86	1 7/8"	46

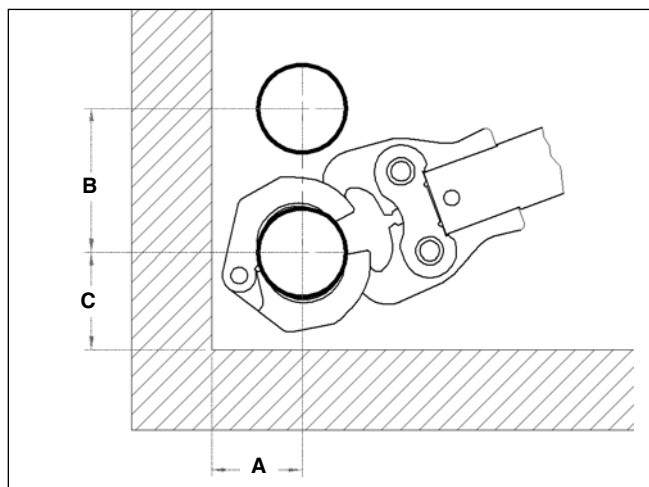
Espacio libre requerido para los aros selladores ProPress XL



Ø del tubo	A (mínimo)		B (mínimo)	
	pulg.	mm	pulg.	mm
2 1/2"	3 3/8"	86	5 3/8"	137
3"	3 3/8"	92	6"	152
4"	4 1/4"	108	7 3/8"	188

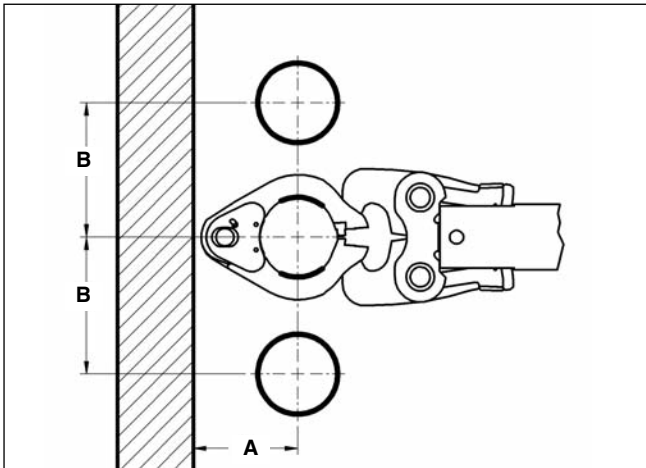


Ø del tubo	A (mínimo)		B (mínimo)		C (mínimo)	
	pulg.	mm	pulg.	mm	pulg.	mm
2 1/2"	5 9/16"	141	7 1/8"	181	1 5/8"	41
3"	6 1/8"	156	7 15/16"	202	1 11/16"	43
4"	7 5/16"	186	9 5/8"	244	1 3/4"	44

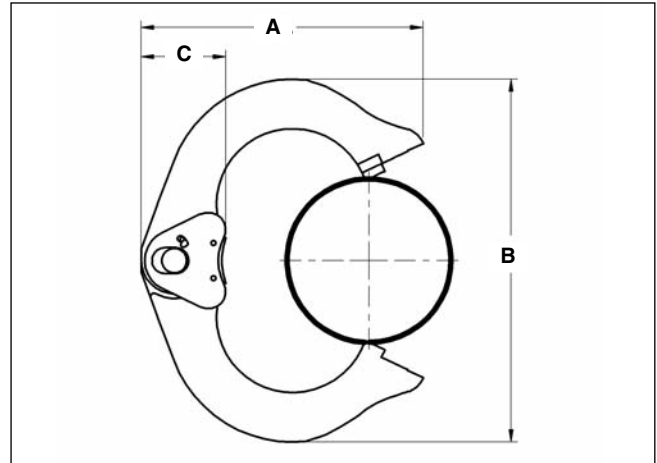


Ø del tubo	A (mínimo)		B (mínimo)		C (mínimo)	
	pulg.	mm	pulg.	mm	pulg.	mm
2 1/2"	3 3/8"	86	5 3/8"	137	3 3/4"	95
3"	3 3/8"	92	6"	152	4 1/8"	105
4"	4 1/4"	108	7 3/8"	188	5"	127

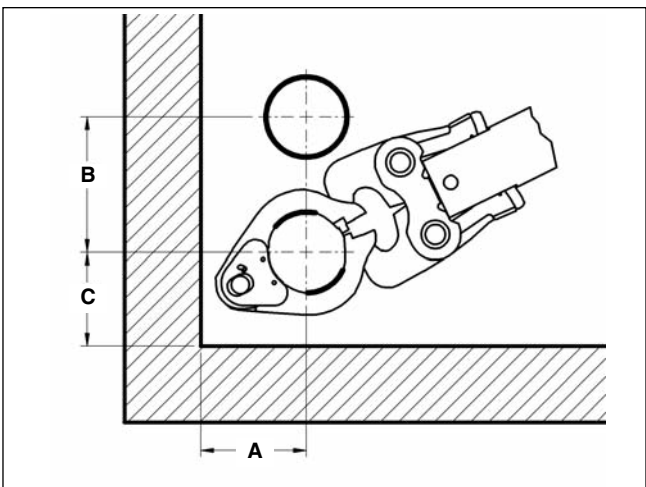
Espacio libre requerido para los aros selladores ProPress XL-C



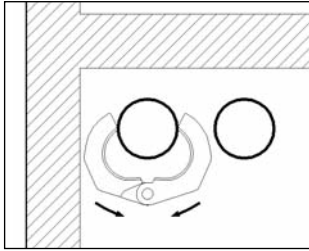
Ø del tubo	A (mínimo)		B (mínimo)	
	pulg.	mm	pulg.	mm
2 1/2"	4 1/8"	105	6"	152
3"	4 3/8"	111	7"	178
4"	5"	127	8"	203



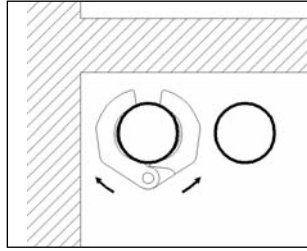
Ø del tubo	A (mínimo)		B (mínimo)		C (mínimo)	
	pulg.	mm	pulg.	mm	pulg.	mm
2 1/2"	6 3/16"	157	6 15/16"	176	7 7/16"	62
3"	7 7/16"	189	8 13/16"	224	2 7/16"	62
4"	8 1/16"	205	10 7/16"	265	2 7/16"	62



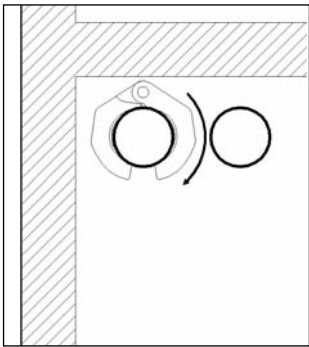
Ø del tubo	A (mínimo)		B (mínimo)		C (mínimo)	
	pulg.	mm	pulg.	mm	pulg.	mm
2 1/2"	4 1/8"	105	6"	152	4 1/2"	114
3"	4 3/8"	111	7"	178	4 7/8"	124
4"	5"	127	8"	203	5 3/4"	146

Método para sellar en espacios restringidos con Aros selladores

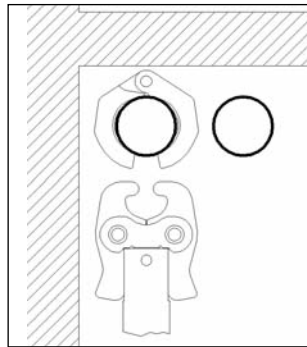
1. Coloque el aro sellador alrededor del acoplamiento desde adelante...



2. ...hasta que el aro sellador se asiente en la ranura del acoplamiento.



3. Mantenga el aro sellador cerrado y gírelo por alrededor del acoplamiento hasta que la abertura quede apuntando hacia delante.



4. Introduzca el accionador del aro y comience el ciclo sellador.

DetECCIÓN DE AVERÍAS

PROBLEMA	POSSIBLE REASONS	SOLUCIÓN
<p>Las conexiones que se sellan no se completan.</p>	<p>Se usaron mordazas o aro sellador que no son los correctos para el tamaño del tubo o del material.</p> <p>Las mordazas o el aro no fueron puestos rectamente sobre el tubo.</p> <p>Las mordazas han sobrepasado su expectativa de vida útil y pueden haber fallado.</p>	<p>Instale el juego de mordazas correcto.</p> <p>Vuelva a efectuar la junta empleando un nuevo tubo y un nuevo acoplamiento. Asegure de colocar las mordazas o el aro de sellado en ángulo recto con respecto al acoplamiento.</p> <p>Si el juego de mordazas está agrietado, reemplácelo con un nuevo juego de mordazas. Vuelva a efectuar una selladura empleando un nuevo tubo y un nuevo acoplamiento.</p>
<p>Se producen aletas grandes o afiladas en la junta sellada, allí donde se juntan las puntas de las mordazas o del aro.</p>	<p>Accumulation de résidus de raccord au droit des redans d'embout des mâchoires ou de la bague.</p> <p>Mordazas o aros demasiado desgastados o dañados.</p>	<p>Limpie las curvas interiores de las mordazas o del aro empleando una almohadilla tipo Scotch-Brite®. Consulte las instrucciones en la sección Mantenimiento.</p> <p>Deseche las mordazas y reemplácelas con un nuevo juego de mordazas o aro sellador RIDGID.</p>
<p>Las mordazas o aros se pegan demasiado al acoplamiento al completarse la selladura.</p>	<p>Accumulation de résidus de raccord au droit des redans d'embout des mâchoires ou de la bague.</p>	<p>Limpie las curvas interiores de las mordazas o del aro empleando una almohadilla tipo Scotch-Brite®. Consulte las instrucciones en la sección Mantenimiento.</p>

What is covered

RIDGID® tools are warranted to be free of defects in workmanship and material.

How long coverage lasts

This warranty lasts for the lifetime of the RIDGID® tool. Warranty coverage ends when the product becomes unusable for reasons other than defects in workmanship or material.

How you can get service

To obtain the benefit of this warranty, deliver via prepaid transportation the complete product to RIDGE TOOL COMPANY, Elyria, Ohio, or any authorized RIDGID® INDEPENDENT SERVICE CENTER. Pipe wrenches and other hand tools should be returned to the place of purchase.

What we will do to correct problems

Warranted products will be repaired or replaced, at RIDGE TOOL'S option, and returned at no charge; or, if after three attempts to repair or replace during the warranty period the product is still defective, you can elect to receive a full refund of your purchase price.

What is not covered

Failures due to misuse, abuse or normal wear and tear are not covered by this warranty. RIDGE TOOL shall not be responsible for any incidental or consequential damages.

How local law relates to the warranty

Some states do not allow the exclusion or limitation of incidental or consequential damages, so the above limitation or exclusion may not apply to you. This warranty gives you specific rights, and you may also have other rights, which vary, from state to state, province to province, or country to country.

No other express warranty applies

This FULL LIFETIME WARRANTY is the sole and exclusive warranty for RIDGID® products. No employee, agent, dealer, or other person is authorized to alter this warranty or make any other warranty on behalf of the RIDGE TOOL COMPANY.



Parts are available online at RIDGIDParts.com



Ridge Tool Company

400 Clark Street
Elyria, Ohio 44035-6001
U.S.A.

We
Build
Reputations™

RIDGID



EMERSON
Professional Tools

Ce qui est couvert

Les outils RIDGE® sont garantis contre tous vices de matériaux et de main d'oeuvre.

Durée de couverture

Cette garantie est applicable durant la vie entière de l'outil RIDGE®. La couverture cesse dès lors que le produit devient inutilisable pour raisons autres que des vices de matériaux ou de main d'oeuvre.

Pour invoquer la garantie

Pour toutes réparations au titre de la garantie, il convient d'expédier le produit complet en port payé à la RIDGE TOOL COMPANY, Elyria, Ohio, ou bien le remettre à un réparateur RIDGID® agréé. Les clés à pipe et autres outils à main doivent être ramenés au lieu d'achat.

Ce que nous ferons pour résoudre le problème

Les produits sous garantie seront à la discrétion de RIDGE TOOL, soit réparés ou remplacés, puis réexpédiés gratuitement ; ou si, après trois tentatives de réparation ou de remplacement durant la période de validité de la garantie le produit s'avère toujours défectueux, vous aurez l'option de demander le remboursement intégral de son prix d'achat.

Ce qui n'est pas couvert

Les défaillances dues au mauvais emploi, à l'abus ou à l'usure normale ne sont pas couvertes par cette garantie. RIDGE TOOL ne sera tenue responsable d'aucuns dommages directs ou indirects.

L'influence de la législation locale sur la garantie

Puisque certaines législations locales interdisent l'exclusion des dommages directs ou indirects, il se peut que la limitation ou exclusion ci-dessus ne vous soit pas applicable. Cette garantie vous donne des droits spécifiques qui peuvent être éventuellement complétés par d'autres droits prévus par votre législation locale.

Il n'existe aucune autre garantie expresse

Cette GARANTIE PERPETUELLE INTEGRALE est la seule et unique garantie couvrant les produits RIDGID®. Aucun employé, agent, distributeur ou tiers n'est autorisé à modifier cette garantie ou à offrir une garantie supplémentaire au nom de la RIDGE TOOL COMPANY.

Qué cubre

Las herramientas RIDGID están garantizadas contra defectos de la mano de obra y de los materiales empleados en su fabricación.

Duración de la cobertura

Esta garantía cubre a la herramienta RIDGID durante toda su vida útil. La cobertura de la garantía caduca cuando el producto se torna inservible por razones distintas a las de defectos en la mano de obra o en los materiales.

Cómo obtener servicio

Para obtener los beneficios de esta garantía, envíe mediante porte pagado, la totalidad del producto a RIDGE TOOL COMPANY, en Elyria, Ohio, o a cualquier Servicentro Independiente RIDGID. Las llaves para tubos y demás herramientas de mano deben devolverse a la tienda donde se adquirieron.

Lo que hacemos para corregir el problema

El producto bajo garantía será reparado o reemplazado por otro, a discreción de RIDGE TOOL, y devuelto sin costo; o, si aún resulta defectuoso después de haber sido reparado o sustituido tres veces durante el período de su garantía, Ud. puede optar por recibir un reembolso por el valor total de su compra.

Lo que no está cubierto

Esta garantía no cubre fallas debido al mal uso, abuso o desgaste normal. RIDGE TOOL no se hace responsable de daño incidental o consiguiente alguno.

Relación entre la garantía y las leyes locales

Algunos estados de los EE.UU. no permiten la exclusión o restricción referente a daños incidentales o consiguientes. Por lo tanto, puede que la limitación o restricción mencionada anteriormente no rija para Ud. Esta garantía le otorga derechos específicos, y puede que, además, Ud tenga otros derechos, los cuales varían de estado a estado, provincia a provincia o país a país.

No rige ninguna otra garantía expresa

Esta GARANTIA VITALICIA es la única y exclusiva garantía para los productos RIDGID. Ningún empleado, agente, distribuidor u otra persona está autorizado para modificar esta garantía u ofrecer cualquier otra garantía en nombre de RIDGE TOOL COMPANY.

EMERSON. CONSIDER IT SOLVED.™